

# Fitting Instructions #3384IS

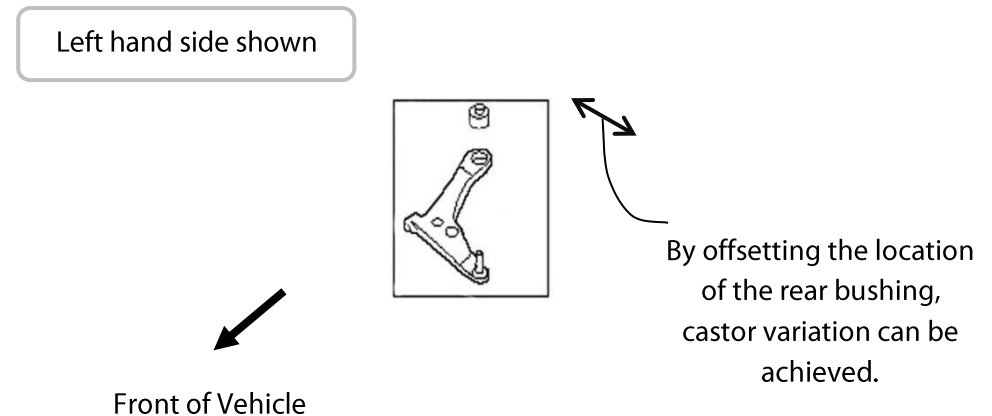
## Suzuki Grand Vitara JB (Third Generation)

### Front Lower Control Arm Inner Rear Bushing (To suit Right-hand drive vehicles)

**Note:** Polyurethane bushings must be fitted to both sides of the vehicle.

- Wheel-align the vehicle before the job is started and note settings;
- With the vehicle on jack stands/hoist remove the front wheels and remove the lower control arms;
- Remove original shell part from the housing with the use of a hydraulic press and suitable pressing tools, take care to prevent stretching arm;
- With reference to the diagrams and the settings required, align the bushing with the bracket so that the hole in the bush is positioned to give the desired result;
- Press the bushes into the housings making sure to leave approx. 8mm of the shell from the top of the control arm;
- The crush tubes can now be fitted to the bushes. A generous amount of the white grease supplied must be applied to both the bore of the bush and the outside of the crush tube;

- Fit the spacers supplied over the crush tubes top and bottom, use the white grease supplied to lubricate the spacers;
- Refit the control arms;
- Wheel-align vehicle and check new settings;
- All mounting bolts are to be torqued to manufactures specifications.

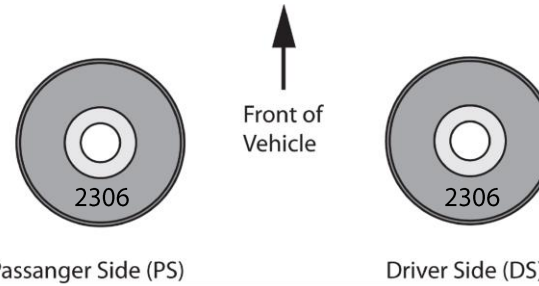


**Figure1.**

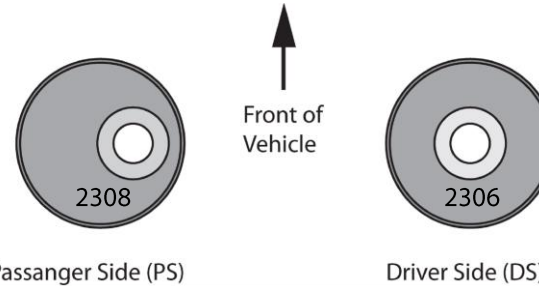
# Fitting Instructions #3384IS

As viewed from the top of the control arm.

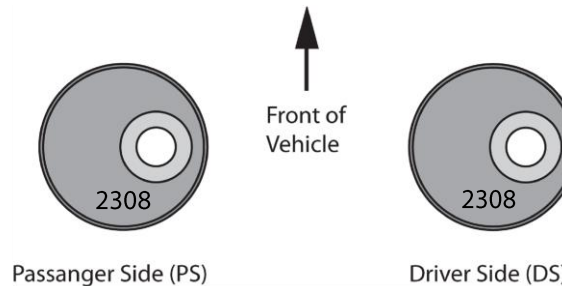
**Kit #3384K** – Standard Replacement. No castor change.



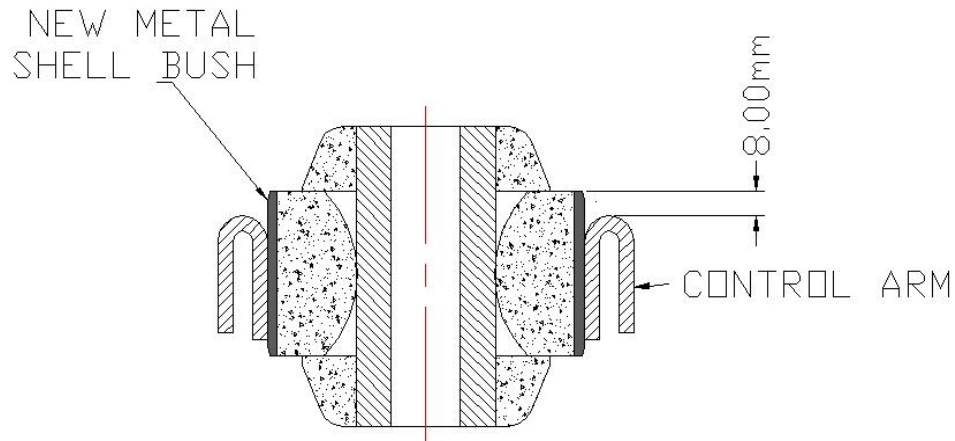
**Kit #3385K** – To counteract a slight pull to the left  
Single Offset, Passanger side castor increase (+0.5 degree).



**Kit #3386K** – To Counteract a Strong pull left  
Double Offset, passanger +0.5 degree and driver -0.5 degree castor.



**Table 1:** Illustration of Castor Settings



**Figure2.**