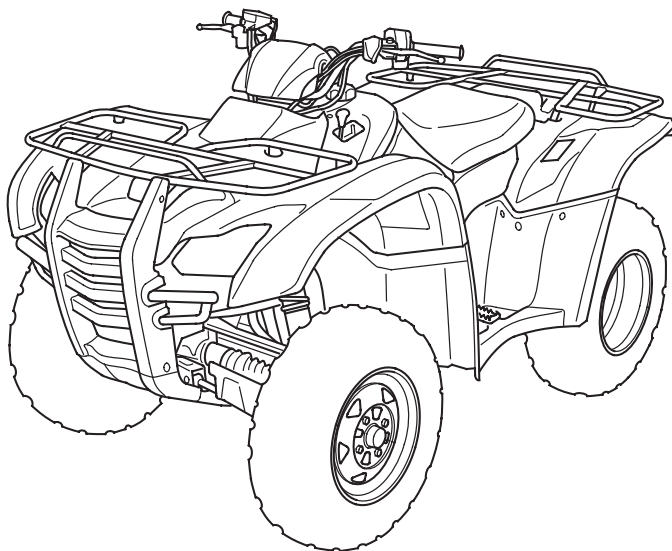


**Honda TRX420TE/FE
FOURTRAX 420 ES/4×4
OWNER'S MANUAL**



Introduction

Congratulations on choosing your Honda ATV.

When you own a Honda, you're part of a worldwide family of satisfied customers — people who appreciate Honda's reputation for building quality into every product.

Your Honda was designed as a recreational ATV for off-road use by one rider only.

Before riding, take time to get acquainted with your ATV and how it works. To protect your investment, we urge you to take responsibility for keeping your ATV well maintained. Scheduled service is a must, of course. But it's just as important to observe the break-in guidelines, and perform all pre-ride and other periodic checks detailed in this manual.

We also recommend that you read this owner's manual before you ride. It's full of facts, instructions, safety information, and helpful tips. To make it easy to use, the manual contains a detailed list of topics at the beginning of each section, and both an in-depth table of contents and an index at the back of the book.

As you read this manual, you will find information that is preceded by a **NOTICE** symbol. This information is intended to help you avoid damage to your Honda, other property, or the environment.

Whenever you ride, tread lightly. By staying on established trails and riding only in approved areas, you help protect the environment and keep off-road riding areas open for the future.

Introduction

If you have any questions, or if you ever need special service or repairs, remember that your Honda dealer knows your ATV best and is dedicated to your complete satisfaction.

Happy riding!

A Few Words About Safety


Your safety, and the safety of others, is very important. And operating this ATV safely is an important responsibility.

To help you make informed decisions about safety, we have provided operating procedures and other information on labels and in this manual. This information alerts you to potential hazards that could hurt you or others.

Of course, it is not practical or possible to warn you about all hazards associated with operating or maintaining an ATV. You must use your own good judgment.

You will find important safety information in a variety of forms, including:

Safety Labels — on the ATV.

Safety Messages — preceded by a safety alert symbol  and one of three signal words: **DANGER**, **WARNING**, or **CAUTION**.

A Few Words About Safety

These signal words mean:

 **DANGER**

You **WILL** be **KILLED** or **SERIOUSLY HURT** if you don't follow instructions.

 **WARNING**

You **CAN** be **KILLED** or **SERIOUSLY HURT** if you don't follow instructions.

 **CAUTION**

You **CAN** be **HURT** if you don't follow instructions.

Safety Headings — such as Important Safety Reminders or Important Safety Precautions.

Safety Section — such as ATV Safety.

Instructions — how to use this ATV correctly and safely.

This entire manual is filled with important safety information — please read it carefully.

Contents

These pages give an overview of the contents of your owner's manual. The first page of each section lists the topics covered in that section.

ATV Safety	1
Important safety information you should know, plus a look at the safety-related labels on your ATV.	
Instruments & Controls.....	9
The location and function of indicators and controls on your ATV and operating instructions for various controls and features.	
Before Riding.....	37
The importance of wearing a helmet and other protective gear, how to make sure you and your ATV are ready to ride, and important information about loading.	
Basic Operation & Riding	53
How to start and stop the engine, shift gears, and brake. Also, riding precautions.	

Contents

Servicing Your Honda	85
Why your ATV needs regular maintenance, what you need to know before servicing your Honda, an owner maintenance schedule, and instructions for specific maintenance and adjustment items.	
Tips	169
How to store and transport your ATV and how to be an environmentally-responsible rider.	
Taking Care of the Unexpected	179
What to do if you have a flat tyre, your engine won't start, etc.	
Technical Information	201
ID numbers, technical specifications, and other technical facts.	
Table of Contents	210
Sequential listing of topics in this owner's manual.	
Index.....	216

ATV Safety

This section presents some of the most important information and recommendations to help you ride your ATV safely. Please take a few moments to read these pages. This section also includes information about the location of safety labels on your ATV.

Important Safety Information	2
Safety Labels.....	5

Important Safety Information

Your ATV can provide many years of service and pleasure — if you take responsibility for your own safety and understand the challenges you can meet while riding.

There is much that you can do to protect yourself when you ride. You'll find many helpful recommendations throughout this manual. The following are a few that we consider most important.

Follow the Age Recommendation

The minimum recommended age for this ATV model is 16. Children under age 16 should never operate this vehicle.

Always Wear a Helmet

It's a proven fact: helmets significantly reduce the number and severity of head injuries. So always wear an approved motorcycle helmet. We also recommend that you wear eye protection, sturdy boots, gloves, and other protective gear (page 38).

Never Carry a Passenger

Your ATV is designed for one person only. There are no handholds, footrests, or seat for a second person — so never carry a passenger. A passenger could interfere with your ability to move around to maintain your balance and control of the ATV.

Important Safety Information

Ride Off-Road Only

Your ATV is designed and manufactured for off-road use only. The tyres are not made for pavement, and the ATV does not have turn signals and other features required for use on public roads. If you need to cross a paved or public road, get off and walk your ATV across.

Take Time to Learn & Practice

Even if you have ridden other ATVs, take time to become familiar with how this ATV works and handles. Practice in a safe area until you build your skills and get accustomed to the ATV's size and weight.

Be Alert for Off-Road Hazards

The terrain can present a variety of challenges when you ride off-road. Continually “read” the terrain for unexpected turns, drop-offs, rocks, ruts, and other hazards. Always keep your speed low enough to allow time to see and react to hazards.

Important Safety Information

Ride within Your Limits

Pushing limits is another major cause of ATV accidents. Never ride beyond your personal abilities or faster than conditions warrant. Remember that alcohol, drugs, fatigue, and inattention can significantly reduce your ability to make good judgments and ride safely.

Don't Drink and Ride

Alcohol and riding don't mix. Even one drink can reduce your ability to respond to changing conditions, and your reaction time gets worse with every additional drink. So don't drink and ride, and don't let your friends drink and ride either.

Keep Your Honda in Safe Condition

It's important to keep your ATV properly maintained and in safe riding condition. Having a breakdown can be difficult, especially if you are stranded off-road far from your base. To help avoid problems, inspect your ATV before every ride and perform all recommended maintenance.


Safety Labels

Your ATV comes with several labels containing important safety information. Anyone who rides the vehicle should read and understand this information before riding.


The labels should be considered permanent parts of the vehicle. If a label comes off or becomes hard to read, contact your Honda dealer for replacements.

Safety Labels

(TRX420TE)

	TRX420TE	2007	Nominal Power 18.3kw
	HONDA OF SOUTH CAROLINA MFG., INC.		Dry weight 239.0kg
1111 HONDA WAY, TIMMONSVILLE, SOUTH CAROLINA 29161 USA			MADE IN USA

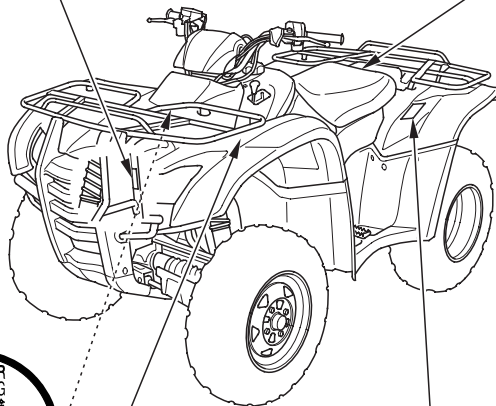
(TRX420FE)

	TRX420FE	2007	Nominal Power 18.3kw
	HONDA OF SOUTH CAROLINA MFG., INC.		Dry weight 256.0kg
1111 HONDA WAY, TIMMONSVILLE, SOUTH CAROLINA 29161 USA			MADE IN USA

WARNING



NEVER ride as a passenger. Passengers can cause a loss of control, resulting in SEVERE INJURY or DEATH.



DANGER WARNING

危险 警告

- ▶ NEVER OPEN WHEN HOT. Hot coolant will scald you.
- ▶ N'OUVREZ PAS QUAND CHAUD. N'IGHT BEI HEISSEN MOTOR OFFEN.
- ▶ 热时勿打开散热器盖。

1.1

WARNING

Overloading this ATV or carrying cargo improperly can change handling, stability and braking performance and can lead to an accident.

Never exceed the maximum front cargo limit of: 66lbs (30kg).

Refer to instructions in the Owner's Manual.

WARNING

Improper tire pressure or overloading can cause loss of control. Loss of control can result in severe injury or death.

- Cold tire pressure; Front: 25kPa 0.25kg/cm² 3.6psi Rear : 25kPa 0.25kg/cm² 3.6psi
- Maximum weight capacity; 220kg 485lbs.

Safety Labels

WARNING

UNDER 16

Operating this ATV if you are under the age of 16 increases your chance of severe injury or death.

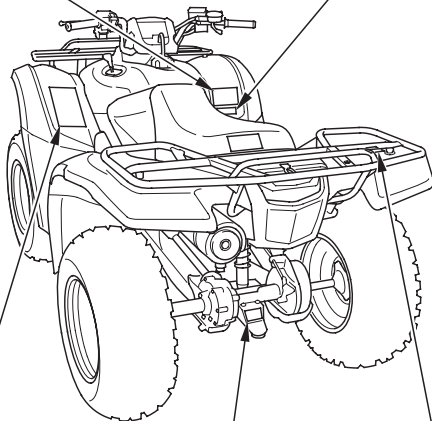
NEVER operate this ATV if you are under age 16.

(TRX420FE only)

BRAKING INFORMATION

With four-wheel drive, operating any brake control causes braking at both the front and rear wheels.

For detailed braking information, refer to the Owner's Manual.



WARNING

The improper operation of ATVs may result in severe injury or death.

- Read the Owner's Manual.
- Follow all warnings and instructions.
- Never use without proper training and instruction.

While riding:

- Never ride too fast for your skills or the conditions.
- Always use proper riding techniques for hills, slopes, and rough terrain.
- Use care when changing riding surfaces. ATVs handle differently on different surfaces, such as sand, dirt, or pavement.

- Never carry a passenger, since it would affect balance and steering and may cause you to lose control.
- Avoid operating on public roads, since a collision can occur with another vehicle.
- Never ride after drinking alcohol or using drugs.
- Always wear a helmet, eye protection, and protective gear.

WARNING

Overloading this ATV or carrying cargo improperly can change handling, stability and braking performance and can lead to an accident.

Never exceed the maximum rear cargo limit (combined weight on the rear rack and in the storage area) of: 133lbs (60kg).

Refer to instructions in the Owner's Manual.

WARNING

Towing an improperly loaded trailer can cause loss of control.

- Read owner's manual.
- Tow weight limit :3776N {385kgf} 850lbs
- Tongue weight : 137N { 14kgf} 30lbs

Instruments & Controls

This section shows the location of all indicators and controls you would normally use before or while riding your ATV.

The items listed on this page are described in this section. Instructions for other components are presented in other sections of this manual where they will be most useful.

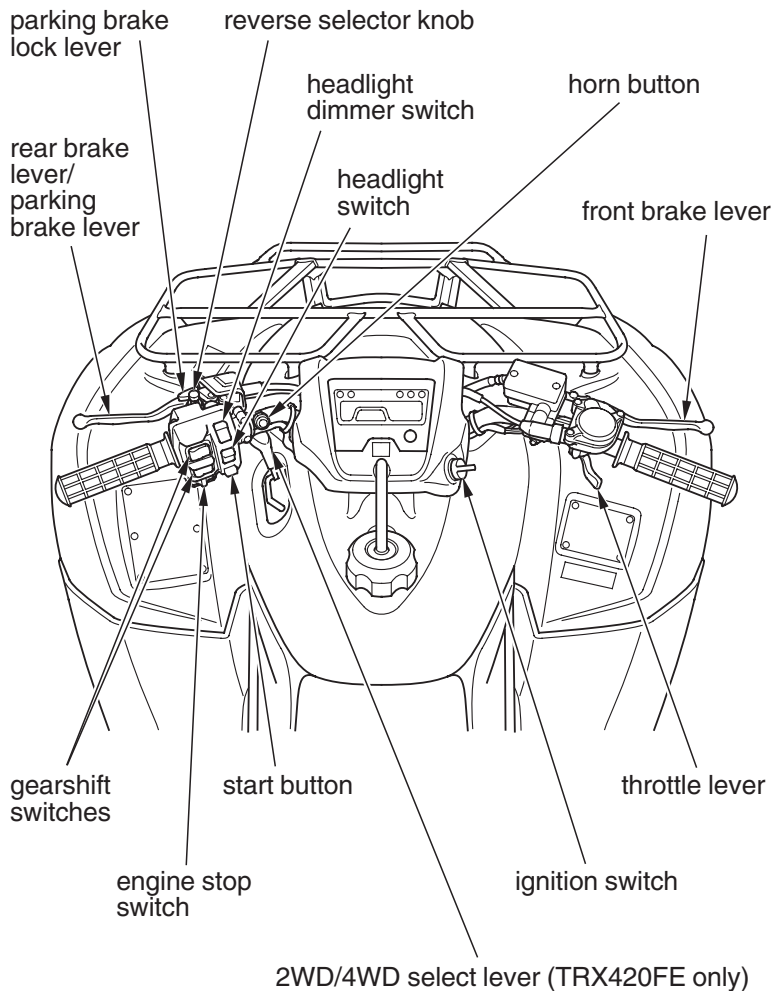
Operation Component Locations	11
Indicators & Displays.....	14
Multi-function Display.....	18
Gear Position Indicator.....	19
Oil Change Indicator	20
Odometer.....	21
Tripmeter.....	21
Hourmeter	22
Fuel Gauge	23

(cont'd)

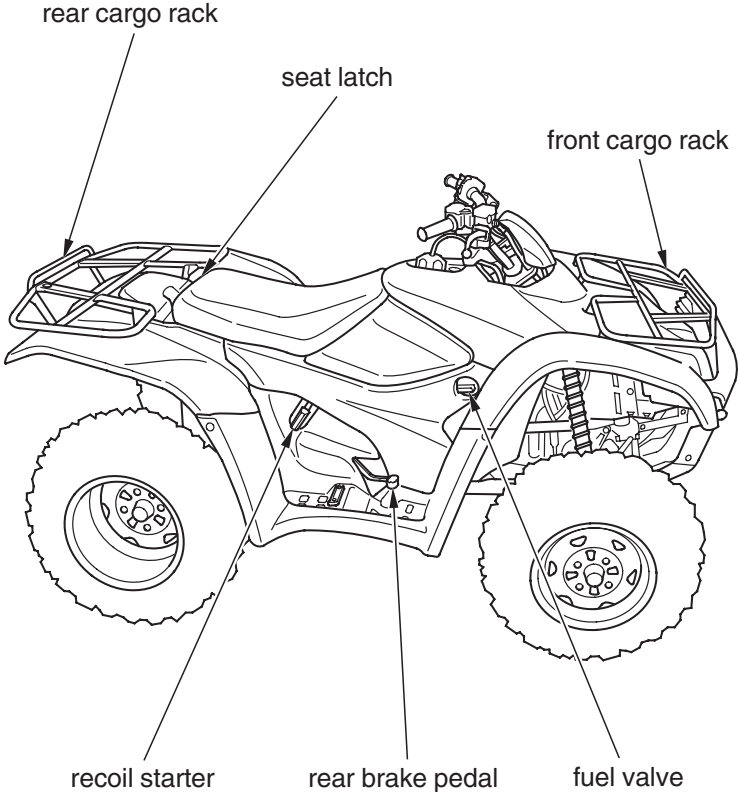
Instruments & Controls

Controls & Features	24
Fuel Valve	24
Ignition Switch	25
2WD/4WD Select Lever (TRX420FE only)	26
Start Button	27
Engine Stop Switch	27
Headlight Switch	28
Headlight Dimmer Switch	28
Horn Button	28
Recoil Starter	29
Throttle Lever	30
Gearshift Switch	31
Reverse Selector Knob	32
Front Brake Lever	33
Rear Brake Lever	33
Rear Brake Pedal	33
Parking Brake	34
Flag Pole Bracket	35
Trailer Hitch	36

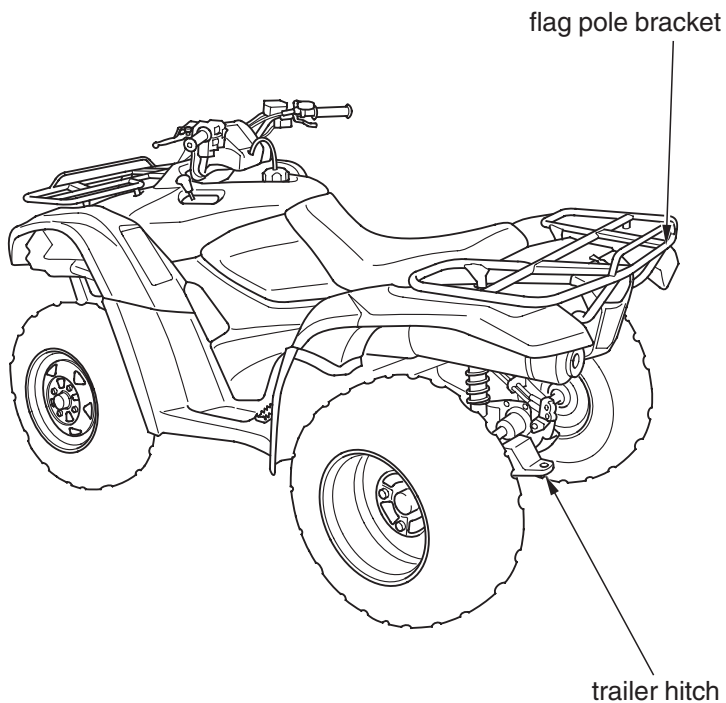
Operation Component Locations



Operation Component Locations

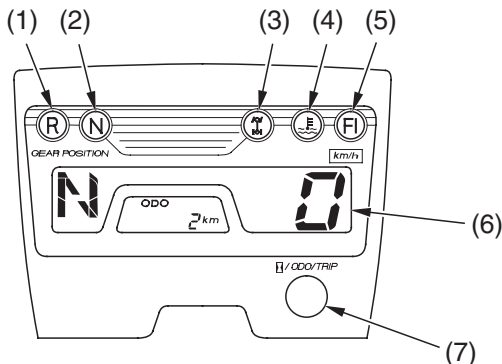


Operation Component Locations



Indicators & Displays

The indicators and displays on your ATV keep you informed, alert you to possible problems, and make your riding safer and more enjoyable. Refer to the indicators frequently. Their functions are described on the following pages.



- | | |
|---|--|
| (1) reverse indicator | (5) PGM-FI indicator |
| (2) neutral indicator | (6) multi-function display |
| (3) 4WD indicator (TRX420FE only) | (7) hourmeter/odometer/
tripmeter select button |
| (4) high coolant temperature
indicator | |

Lamp Check

The high coolant temperature indicator and PGM-FI indicator come on for a few seconds and then go off when you turn the ignition switch ON (I).

The indicators are identified in the table on page 16 with the words: *Lamp Check*.

Indicators & Displays

When applicable, the reverse or neutral indicators come on when you turn the ignition switch ON (I) and remain on until you shift out of reverse or neutral.

TRX420FE only:

When applicable, the 4WD indicator comes on when you turn the ignition switch ON (I) and remains on until you shift out of 4WD mode.

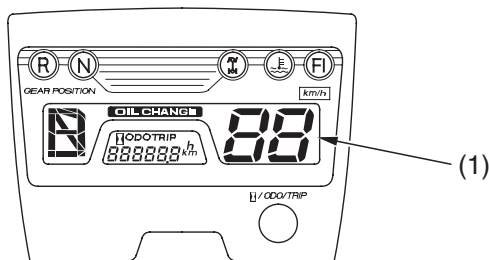
If one of these indicators does not come on when it should, have your Honda dealer check for problems.

Display Check

When the ignition switch is turned ON (I), the multi-function display (1) will temporarily show all the modes and digital segments so you can make sure the liquid crystal display is functioning properly.

The displays are identified in the table on page 17 with the words: *Display Check*.

If any part of these displays does not come on when it should, have your Honda dealer check for problems.



(1) multi-function display

Indicators & Displays

1	Reverse indicator	Lights when the transmission is in reverse. <i>Lamp Check.</i>
2	Neutral indicator	Lights when the transmission is in neutral. <i>Lamp Check.</i>
3	4WD indicator (TRX420FE only)	Lights when the 4WD drive mode engages. <i>Lamp Check.</i>
4	High coolant temperature indicator	Lights when coolant temperature is high enough to adversely affect the service life of the engine. If the high coolant temperature indicator comes on while you are riding, immediately bring the vehicle to a stop, turn the engine off and let it cool. See page 191. <i>Lamp Check.</i>
5	PGM-FI indicator	Lights when there is any abnormality in the PGM-FI (Programmed Fuel Injection) system. Should also light for a few seconds and then go off when the ignition switch is turned ON (I). If the indicator comes on at any other time, reduce speed and take your vehicle to a Honda dealer as soon as possible. <i>Lamp Check.</i>

Indicators & Displays

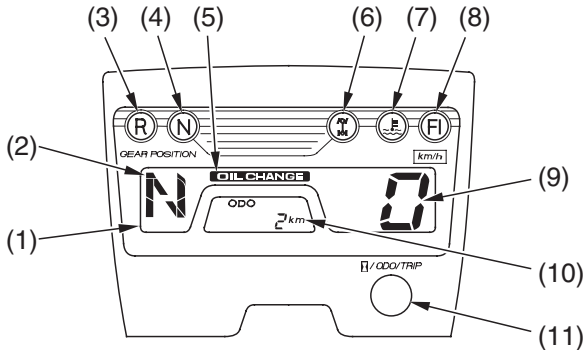
6	Multi-function display	The display includes the following functions. <i>Display Check</i> .
	Gear position indicator	Shows the gear position (page 19).
	Oil change indicator	Lights when specified maintenance interval for engine oil change is reached (page 20).
	Speedometer	Shows riding speed.
	Odometer	Shows accumulated mileage (page 21).
	Tripmeter	Shows mileage per trip (page 21).
7	Hourmeter	Shows hours and tenths of hours of engine operation (page 22).
	Hourmeter/odometer/tripmeter select button	Selects display of the odometer or tripmeter or hourmeter. Resets the tripmeter to zero (0) (page 21). This button also used to reset the oil change indicator (page 20).

Indicators & Displays

Multi-function Display

The multi-function display (1) includes the following functions:

- Gear position indicator
- Oil change indicator
- Speedometer
- Odometer
- Tripmeter
- Hourmeter



- | | |
|---|---|
| (1) multi-function display | (8) PGM-FI indicator |
| (2) gear position indicator | (9) speedometer |
| (3) reverse indicator | (10) odometer/tripmeter/
hourmeter |
| (4) neutral indicator | (11) hourmeter/odometer/
tripmeter select button |
| (5) oil change indicator | |
| (6) 4WD indicator (TRX420FE only) | |
| (7) high coolant temperature
indicator | |

Indicators & Displays

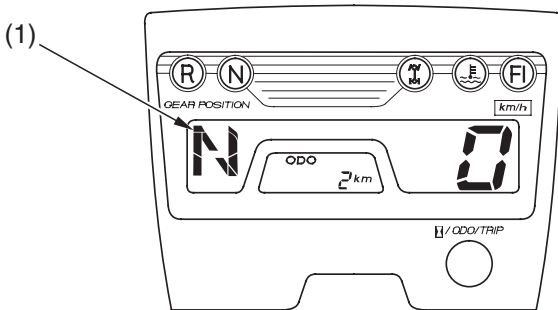
Gear Position Indicator

The gear position indicator (1) shows the gear position when the ignition switch is in the ON (I) position.

The indicator displays: N for neutral, R for reverse, and 1 – 5 for the five forward speed gears.

“—” will be displayed on the gear position indicator when the transmission is not shifted into gear properly. Before riding, check that the gear position is displayed on the gear position indicator properly.

If the gear position indicator shows “—” and blinks, turn the ignition switch to the OFF (O) position, and then turn it back to the ON (I) position again. If the gear position indicator still shows “—” and blinks, see your Honda dealer.



(1) gear position indicator

Indicators & Displays

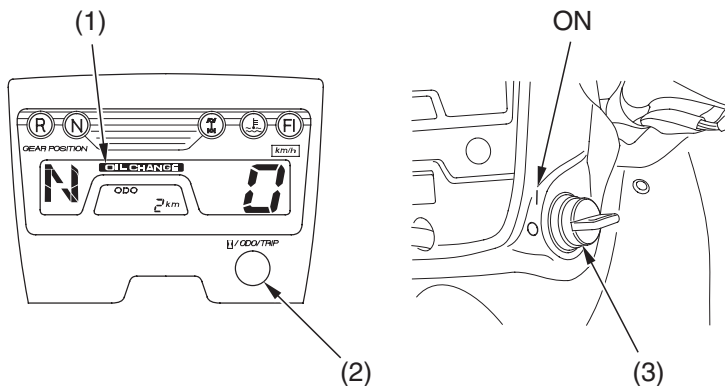
Oil Change Indicator

The oil change indicator (1) appears in the display when the mileage or operating hours on your ATV approaches the oil change interval specified on the maintenance schedule.

Reset the indicator after each oil change.

To reset the indicator, press and hold the hourmeter/odometer/tripmeter select button (2) and turn the ignition switch (3) to ON (I) for more than 2 seconds. The indicator will disappear.

If the oil is changed before the oil change indicator appears, be sure to reset the oil change indicator after changing the oil. The indicator will appear for 2 seconds, then disappear. This means the indicator is reset.



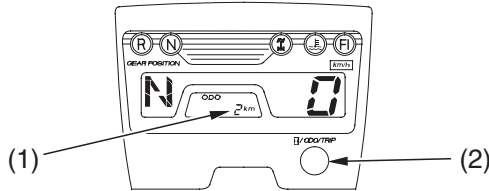
- (1) oil change indicator
- (2) hourmeter/odometer/
tripmeter select button
- (3) ignition switch

I ON

Indicators & Displays

Odometer

When selected, the odometer (1) registers total distance traveled in kilometers while the ignition is ON (1). To change the display from tripmeter or hourmeter to odometer, press and release the hourmeter/odometer/tripmeter select button (2).

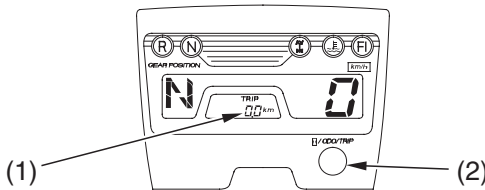


(1) odometer

(2) hourmeter/odometer/tripmeter
select button

Tripmeter

When selected, the tripmeter (1) shows mileage per trip while the ignition is ON (1). To change the display from odometer or hourmeter to tripmeter, press and release the hourmeter/odometer/tripmeter select button (2). To reset the tripmeter to zero, press the hourmeter/odometer/tripmeter select button and hold it in for at least 2 seconds.



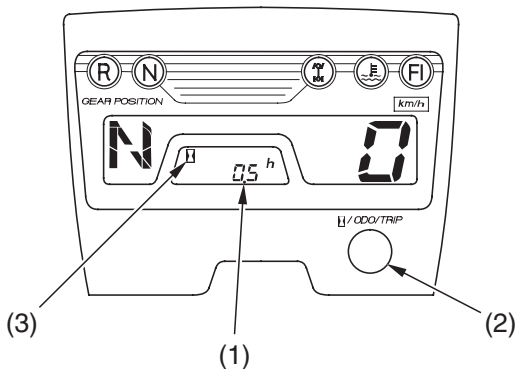
(1) tripmeter

(2) hourmeter/odometer/tripmeter
select button

Indicators & Displays

Hourmeter

When selected, the hourmeter (1) shows accumulated hours while the ignition is ON (1). The hourmeter provides accurate service period information for initial and regular maintenance. To change the display from odometer or tripmeter to hourmeter, press and release the hourmeter/odometer/tripmeter select button (2). The hourmeter mark (3) will appear.



(1) hourmeter

(2) hourmeter/odometer/tripmeter
select button

(3) hourmeter mark

Indicators & Displays

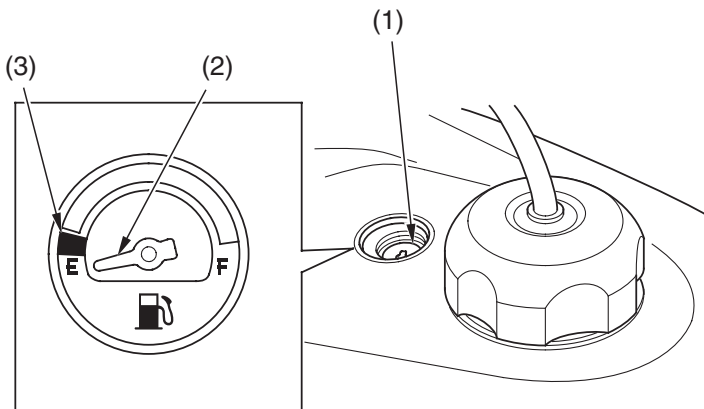
Fuel Gauge

The fuel gauge (1) shows the approximate fuel supply available. At F (Full), the fuel tank capacity including reserve is:

13.7 ℓ (3.62 US gal , 3.01 Imp gal)

When the gauge needle (2) enters the red band (3), fuel will be low and you should refill the tank as soon as possible. The amount of fuel left in the tank when the needle enters the red band is approximately:

3.4 ℓ (0.90 US gal , 0.75 Imp gal)



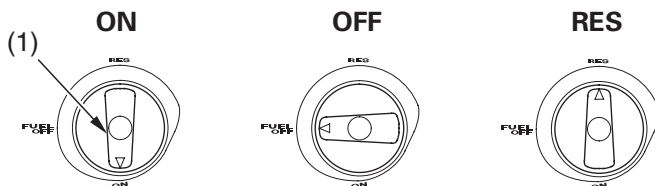
(1) fuel gauge
(2) gauge needle

(3) red band

Controls & Features

Fuel Valve

RIGHT SIDE



(1) fuel valve

The manual fuel valve (1) is located on the right side under the fuel tank.

The three-way fuel valve is used to control the flow of fuel from the fuel tank to the fuel pump unit.

ON—normal position for riding.

OFF— for parking, storing, or transportation.

RES— for extra fuel to get to a gas supply for refueling.

Reserve Fuel

Remember to check that the fuel valve is in the ON position each time you refuel. If the fuel valve is left in the RES position, you may run out of fuel with no reserve.

For complete information about fueling your ATV, see page 102.

Controls & Features

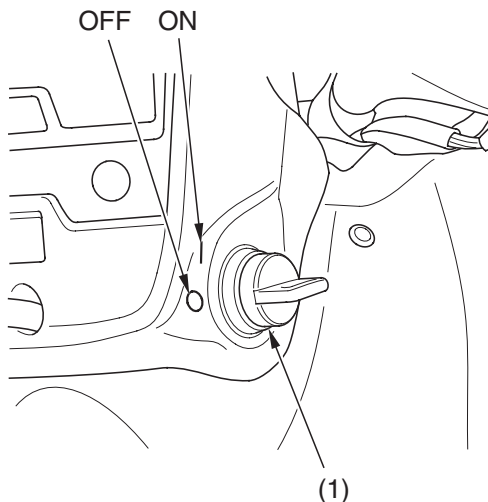
Ignition Switch

The ignition switch (1) is used for starting and stopping the engine (page 60). Insert the key and turn it to the right for the ON (I) position.

The ignition switch is also used resetting the oil change indicator (page 20).

Key Position	Function
ON (I)	Electrical circuits on.
OFF (O)	No electrical circuits function.

CENTRE OF HANDLEBAR



(1) ignition switch

I ON
O OFF

Controls & Features

2WD/4WD Select Lever (TRX420FE only)

Your ATV is equipped with a 2WD/4WD select lever (1), which permits a choice between the “2WD” and “4WD” drive modes. Select a drive mode that’s suitable for your riding.

Keep both hands on the handlebar while machine is in motion and come to a complete stop before using the 2WD/4WD select lever.

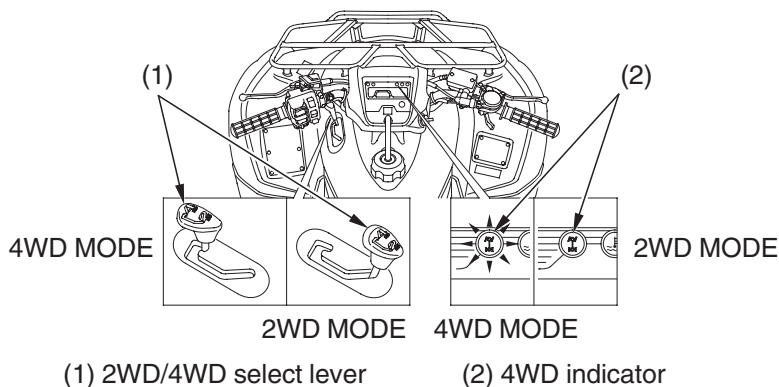
The 2WD/4WD select lever is located on the left side of the fuel tank. To select the drive mode, shift the 2WD/4WD select lever to the desired position.

After the 2WD/4WD select lever is used, the selected drive mode may not mechanically engage until the throttle is applied.

To check your present drive mode, look at the 4WD indicator (2).

2WD mode : the 4WD indicator goes off when the 2WD mode engages.

4WD mode : the 4WD indicator goes on when the 4WD mode engages.

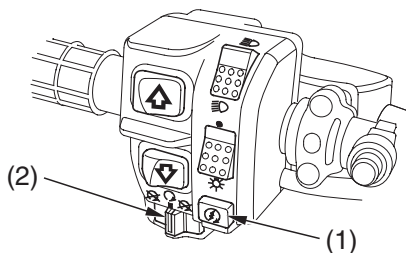


Controls & Features

Start Button



LEFT HANDLEBAR



(1) start button

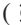
(2) engine stop switch

 START

 OFF



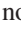
 RUN



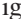
The start button (1) is used for starting the engine. Pushing the button in starts the engine. See *Starting Procedure*, page 61.

When the start button is pushed, the starter motor will crank the engine. The starter motor will not operate if the engine stop switch is in the OFF () position when the start button is pushed.

Engine Stop Switch



The engine stop switch (2) is used to stop the engine in an emergency. To operate, slide the switch to either OFF () position. The switch must be in the RUN () position to start the engine, and it should normally remain in the RUN () position even when the engine is OFF.

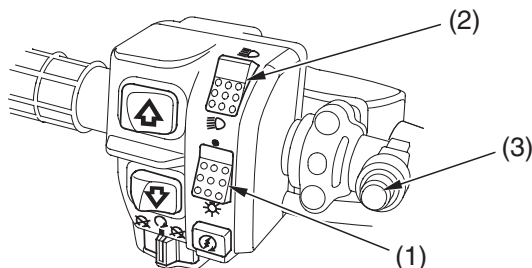
If your ATV is stopped with the ignition switch ON () and the engine stop switch OFF (), the battery will discharge. Turn the ignition switch OFF () to prevent battery discharge.

Controls & Features

Headlight Switch



LEFT HANDLEBAR



(1) headlight switch

(2) headlight dimmer switch

(3) horn button



The headlight switch (1) is used to turn the headlight ON (☀) or OFF (•). To operate, turn the switch to ON (☀) or OFF (•).

Headlight Dimmer Switch



The headlight dimmer switch (2) is used to change between the high and low beams of the headlight. To operate, turn the switch to HI (≡D) for high beam, LO (≡D) for low beam.

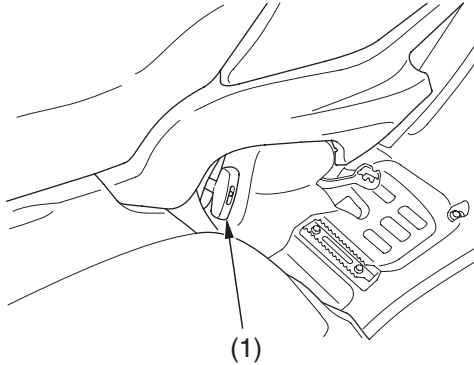
Horn Button

Press the horn button (3) to sound the horn.

Controls & Features

Recoil Starter

RIGHT SIDE



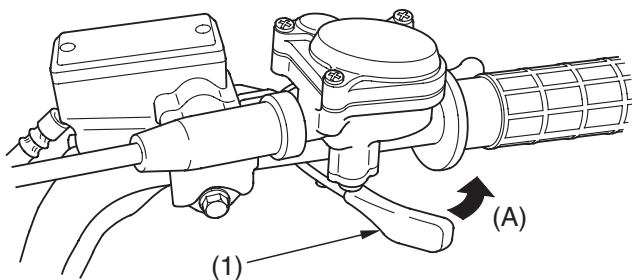
(1) recoil starter

The recoil starter (1) is used to start the engine when the battery is low.
See *Using the Recoil Starter*, page 64 .

Controls & Features

Throttle Lever

RIGHT HANDLEBAR



(1) throttle lever

(A) to open the throttle

The throttle controls engine rpm (speed). To increase engine rpm, press the throttle lever (1) with your thumb. To reduce engine rpm, release pressure on the throttle lever. The throttle will automatically return to the closed position (engine idle) when you remove your thumb.

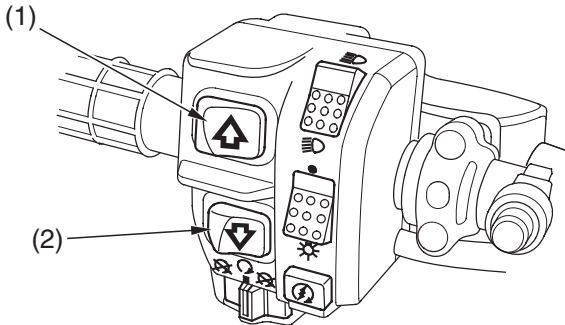
Controls & Features

Gearshift Switch

These switches are used to select the next higher or lower gear in the transmission. To operate, press the upshift switch (1) to engage the next higher gear or press the downshift switch (2) to engage the next lower gear.

See *Shifting Gears*, page 65 .

LEFT HANDLEBAR



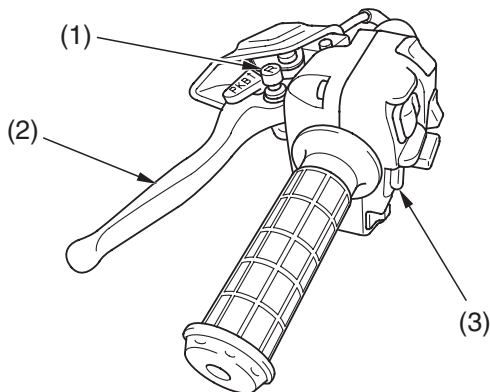
- (1) upshift switch
- (2) downshift switch

Controls & Features

Reverse Selector Knob

The reverse selector knob (1), located on the rear brake lever/parking brake lever (2), is used to shift into reverse. To operate, with your ATV stopped and the transmission in neutral (make sure the gear position indicator shows “N”), push in the knob, squeeze the rear brake lever/parking brake lever, then press the downshift switch (3) once. See *Riding in Reverse*, page 68 .

LEFT HANDLEBAR



(1) reverse selector knob
(2) rear brake lever/
parking brake lever

(3) downshift switch

Controls & Features

Front Brake Lever

The front brake lever is used to slow or stop your ATV. To operate, pull the lever. For information on braking techniques, see page 70 .

Rear Brake Lever

The rear brake lever is used to slow or stop your ATV. To operate, pull the lever. For information on braking techniques, see page 70 .

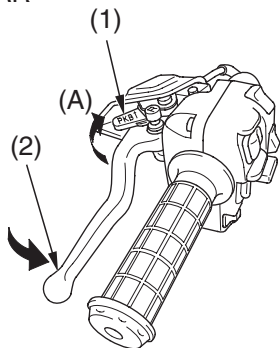
Rear Brake Pedal

The rear brake pedal is used to slow or stop your ATV. To operate, depress the pedal. For information on braking techniques, see page 70 .

Controls & Features

Parking Brake

LEFT HANDLEBAR



(1) lock lever

(2) rear brake lever/
parking brake lever

(A) to lock

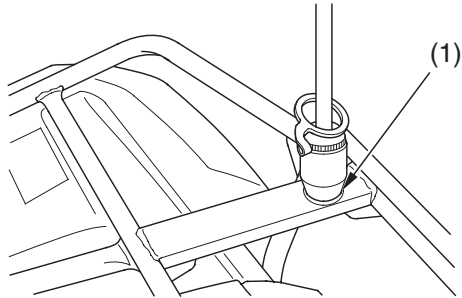
The lock lever (1) on the rear brake lever/parking brake lever (2) allows it to be used as a parking brake. To operate, first squeeze the rear brake lever/parking brake lever using your left hand and then lock it with the lock lever using your right hand. See *Parking* page 84 .

The brakelights are activated by applying the parking brake. When using the parking brake, be sure to turn the ignition switch OFF (○) to avoid discharging the battery.

Controls & Features

Flag Pole Bracket

RIGHT REAR



(1) flag pole bracket

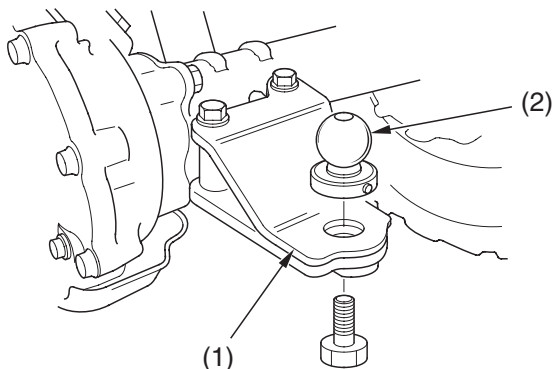
Flag poles are optional equipment available from your Honda dealer. To mount a pole in the bracket (1), follow the instructions that come with the flag pole kit.

Flag poles are required in some riding areas. Check local regulations before riding.

Controls & Features

Trailer Hitch

REAR



(1) trailer hitch

(2) ball

The trailer hitch (1) is located on the rear axle housing. To use the hitch, you'll need a proper size ball (2) as specified by the trailer manufacturer.

To attach the ball and properly hook up a trailer, follow the trailer manufacturer's instructions. For load limits and operational guidelines, see page 48.

Before Riding

Before each ride, you need to make sure you and your Honda are both ready to ride. To help get you prepared, this section discusses how to evaluate your riding readiness, what items you should check on your ATV, and adjustments to make for your comfort, convenience, or safety. This section also includes important information about loading.

Are You Ready to Ride?	38
Protective Apparel.....	38
Rider Training	40
Age Recommendation	41
No Passengers	41
No Alcohol or Drugs.....	42
Is Your ATV Ready to Ride?.....	43
Pre-ride Inspection	43
Load Limits & Guidelines.....	47
Loading	47
Load Limits	48
Loading Guidelines	49
Accessories & Modifications	50
Accessories.....	50
Modifications	51

Are You Ready to Ride?

Before you ride your ATV for the first time, we urge you to:

- Read this owner's manual and the labels on your ATV carefully.
- Make sure you understand all the safety messages.
- Know how to operate all the controls.

Before each ride, be sure:

- You feel well and are in good physical and mental condition.
- You are wearing an approved motorcycle helmet (with chin strap tightened securely), eye protection, and other protective clothing.
- You don't have any alcohol or drugs in your system.

Protective Apparel

For your safety, we strongly recommend that you always wear an approved motorcycle helmet, eye protection, boots, gloves, long pants, and a long-sleeved shirt or jacket whenever you ride.

Although complete protection is not possible, wearing proper gear can reduce the chance of injury when you ride.

Following are suggestions to help you choose the proper gear.

Helmets and Eye Protection

Your helmet is your most important piece of riding gear because it offers the best protection against head injuries. A helmet should fit your head comfortably and securely.

Are You Ready to Ride?

An open-face helmet offers some protection, but a full-face helmet offers more. Always wear a face shield or goggles to protect your eyes and help your vision.

WARNING

Operating this ATV without wearing an approved motorcycle helmet, eye protection, and protective clothing could increase your chances of severe injury or death in the event of an accident.

Always wear an approved motorcycle helmet that fits properly and wear eye protection (goggles or face shield), gloves, boots, long-sleeved shirt or jacket and long pants.

Additional Riding Gear

In addition to a helmet and eye protection, we also recommend:

- Sturdy off-road motorcycle boots to help protect your feet, ankles, and lower legs.
- Off-road motorcycle gloves to help protect your hands.
- Riding pants with knee and hip pads, a riding jersey with padded elbows, and a chest/shoulder protector.

Are You Ready to Ride?

Rider Training

Developing your riding skills is an on-going process. Even if you have ridden other ATVs, take time to become familiar with how this ATV works and handles. Practice riding the ATV in a safe area to build your skills. Do not ride in rough terrain until you get accustomed to the ATV's controls, and feel comfortable with its size and weight.

WARNING

Operating this ATV without proper instruction could increase your risk of an accident which could lead to serious injury or death.

Beginning and inexperienced operators should complete the certified training course offered by Honda. They should then regularly practice the skills learned in the course and the operating techniques described in the owner's manual.

Are You Ready to Ride?

Age Recommendation

The minimum recommended age for this ATV model is 16. For safety, never let children under 16 years old operate this vehicle.

WARNING

A child using an ATV that is not recommended for their age could lose vehicle control while riding, resulting in severe injury or death.

A child under 16 should never operate an ATV with engine size greater than 90cc.

No Passengers

This ATV is designed as an operator-only vehicle. The long seat is designed to allow the rider to change body position, not for carrying a passenger. Never let a passenger ride on the seat or on the front or rear cargo racks.

WARNING

Carrying a passenger on this ATV greatly reduces your ability to balance and control this ATV and could cause a crash and you or your passenger could be injured or killed.

Never carry a passenger on this ATV.

Are You Ready to Ride?

No Alcohol or Drugs

Alcohol, drugs and ATVs don't mix. Even a small amount of alcohol can impair your ability to operate an ATV safely. Likewise, drugs — even if prescribed by a physician — can be dangerous while operating an ATV. Consult your doctor to be sure it is safe to operate a vehicle after taking medication.

WARNING

Operating this ATV after consuming alcohol or drugs can seriously affect your judgement, cause you to react more slowly, affect your balance and perception, and result in serious injury or death.

Never consume alcohol or drugs before or while operating this ATV.

Is Your ATV Ready to Ride?

Before each ride, it's important to inspect your ATV and make sure any problem you find is corrected. A pre-ride inspection is a must, not only for safety, but because having a breakdown, or even a flat tyre, can be a major inconvenience.

If your ATV has overturned or been involved in a collision, do not ride the vehicle until it has been inspected by your Honda dealer. There may be damage or other problems you cannot see.

WARNING

Improperly maintaining this ATV or failing to correct a problem before riding can cause a crash in which you can be seriously hurt or killed.

Always perform a pre-ride inspection before every ride and correct any problems.

Pre-ride Inspection

Check the following items before you get on the ATV:

<i>Engine Oil</i>	Check the level and add oil if needed (page 108). Check for leaks.
<i>Radiator Coolant</i>	Check the coolant level and add coolant if needed (page 119). Check for leaks.

Is Your ATV Ready to Ride?

<i>Fuel</i>	Check the level and add fuel (page 103) if needed. Also make sure the fuel fill cap is securely fastened. Check for leaks.
<i>Tyres</i>	Use a gauge to check the air pressure. Adjust if needed. Also look for signs of damage or excessive wear (page 153).
<i>Driveshaft Boots (TRX420FE only)</i>	Check for damage (page 158).
<i>Propeller Shaft Boots & Yoke Joint Boot</i>	Check for damage (page 159).
<i>Nuts & Bolts</i>	Check the wheels to see that the axle nuts are tightened. Use a wrench to make sure all accessible nuts, bolts, and fasteners are tight.
<i>Underbody & Exhaust System</i>	Check for, and remove, any dirt, vegetation or other debris that could be a fire hazard or interfere with the proper operation of the vehicle.
<i>Air Cleaner Housing Drain Tube</i>	Check for deposits in the drain tube. If necessary, clean the tube (page 129) and check the air cleaner housing.
<i>Leaks, Loose Parts</i>	Walk around your ATV and look for anything that appears unusual, such as a leak or loose cable.

Is Your ATV Ready to Ride?

Cable Check the cable housings for wear. Check the fittings for looseness. Replace or tighten as needed.

Lights Make sure the headlight, brakelight and taillight are working properly.

If you are carrying cargo, also check the following:

Loading Limits Make sure you do not exceed the load limits (page 48).

Cargo Check that all cargo is secure.

Check these items after you get on the ATV:

Throttle Check the freeplay and adjust if needed. Press the throttle to make sure it moves smoothly without sticking, and snaps shut automatically when it is released, in all steering positions (page 130).

Brakes Squeeze the front and rear brake levers and step on the rear brake pedal to check that the controls operate normally. Check for proper freeplay (pages 143 , 145). Make sure there is no brake fluid leakage.

Reverse Assist Lever Check the freeplay and adjust if needed (page 133). Make sure the lever operates smoothly without sticking.

Is Your ATV Ready to Ride?

*Headlight and
Headlight Dimmer
Switch*

Check for proper function (page 28).

*Engine Stop
Switch*

Check for proper function (page 27).

Steering

Check that the wheels turn properly as you steer the handlebar. Move the handlebar right and left and check that there is no excessive backlash.

Remember, be sure to take care of any problem you find, or have your Honda dealer correct it before you ride.

Load Limits & Guidelines

Your Honda was designed as a rider-only ATV. It was not designed to carry a passenger. It can carry cargo on the cargo racks, however, carrying cargo anywhere else or carrying a passenger could interfere with your balance and control of the ATV.

In addition, exceeding the weight limits or carrying an unbalanced load can seriously affect your ATV's handling, braking and stability. Adding accessories or making modifications that change this ATV's design and performance can also make it unsafe. Also, the weight of any accessories will reduce the maximum load the ATV can carry.

More specific information on load limits, accessories, and modifications follows.

Loading

How much weight you put on your ATV, and how you load it, are important to your safety. If you decide to carry cargo, you should be aware of the following information.

WARNING

Overloading, improper loading, or carrying a passenger can cause a crash and you can be seriously hurt or killed.

Follow all load limits and other loading guidelines in this manual.

Load Limits & Guidelines

Load Limits

Following are the load limits for your ATV:

There are limits to how much weight can be carried on your ATV and be pulled in a trailer.

The following load limits apply to standard equipment only. Modifying your ATV, using non-standard equipment, or riding on terrain that is not flat and smooth could further reduce these limits.

maximum weight capacity 220 kg (485 lbs)
(includes the weight of the rider,
all cargo, and accessories.)

front cargo rack weight limit = 30 kg (66 lbs)
rear cargo rack weight limit = 60 kg (133 lbs)
tow weight limit = 3776 N {385 kgf}
 (850 lbs)
(Combined weight of the trailer
and all cargo in the trailer)

tongue weight = 137 N {14 kgf}
 (30 lbs) recommended
tongue and rear cargo weight = 60 kg (133 lbs) maximum
(Combined weight on the trailer
tongue and on the rear cargo
rack)

Tongue weight can be measured with an ordinary bathroom scale. Place the scale under the tongue, using either a tongue jack or other support to keep the trailer level.

The weight of added accessories will reduce the maximum cargo weight you can carry.

Load Limits & Guidelines

Loading Guidelines

Carrying cargo or pulling a trailer will affect how your ATV handles and greatly reduce its ability in accelerating, braking and making turns and other maneuvers.

Be sure to observe the weight limits and follow these guidelines:

- Check that the tyres are properly inflated.
- Do not place cargo anywhere on the ATV other than on the front and rear racks. Otherwise, operating stability may be adversely affected.
- Never ride with a passenger on the front or rear cargo racks. The ATV is not designed to carry a passenger.
- Use the trailer hitch to tow another vehicle or trailer. Do not tow by tying a rope or cable to the rear rack.
- Load cargo on the rear rack as far forward as possible. Make sure cargo on the front rack does not interfere with handlebar movement.
- Do not allow cargo to extend beyond the edges of either the front or rear racks.
- Make sure all cargo is secured before riding.
- Balance cargo weight evenly on both sides.
- Never exceed the maximum weight limit.
- When towing a trailer, take care to maintain balance and stability. Distribute cargo between the front and rear of the trailer to obtain the recommended tongue weight.
- Allow extra room for starting, stopping and turning whenever you carry cargo or pull a trailer.
- Avoid riding on steep slopes when carrying cargo or pulling a trailer.
- Never cross a slope when towing a trailer.

Accessories & Modifications

Modifying your ATV or using non-Honda accessories can make your ATV unsafe.

Before you consider making any modifications or adding an accessory, be sure to read the following information.

WARNING

Improper accessories or modifications can cause a crash in which you can be seriously hurt or killed.

Follow all instructions in this owner's manual regarding accessories and modifications.

Accessories

We strongly recommend that you use only genuine Honda accessories that have been specifically designed and tested for your ATV. Because Honda cannot test all other accessories, you must be personally responsible for proper selection, installation, and use of non-Honda accessories.

Check with your Honda dealer for assistance and always follow these guidelines:

- Make sure the accessory does not obscure any lights, reduce ground clearance, limit suspension travel or steering travel, or interfere with operating any controls.
- Make sure the accessory does not interfere with your ability to shift body position on the seat or operate hand and foot controls.
- Do not add any electrical equipment that will exceed the vehicle's electrical system capacity (page 207). A blown fuse can cause a loss of lights or engine power (page 193).

Accessories & Modifications

Modifications

We strongly advise you not to remove any original equipment or modify your ATV in any way that would change its design or operation. Such changes could seriously impair your ATV's handling, stability, and braking, making it unsafe to ride.

Removing or modifying your lights, exhaust system, emission control system, or other equipment can also make your ATV illegal.

Basic Operation & Riding

This section gives basic riding instructions, including how to start and stop your engine, and how to use the throttle and brakes. It also provides important information on riding with cargo.

To protect your new engine and enjoy optimum performance and service life, refer to Break-in Guidelines (page 208).

Safe Riding Precautions	55
Off-Road Use Only	55
Keep Hands and Feet on Controls	56
Control Speed	57
Use Care on Unfamiliar or Rough Terrain	58
Do Not Perform Stunts	59
Starting & Stopping the Engine	60
Preparation	60
Starting Procedure	61
Flooded Engine	62
Bank Angle Sensor Ignition Cut-off System	62
Stalled Engine	63
How to Stop the Engine	63
Using the Recoil Starter	64
Shifting Gears	65
Riding in Reverse	68

(cont'd)

Basic Operation & Riding

Braking.....	70
Riding Your ATV	72
Making Turns.....	72
Skidding or Sliding	74
Riding Up Hills	75
Riding Down Hills	79
Crossing or Turning on Hills or Slopes.....	80
Riding Over Obstacles	82
Riding Through Water	83
Parking	84

Safe Riding Precautions

Before riding your ATV for the first time, please review the *ATV Safety* section beginning on page 1, and the *Before Riding* section beginning on page 37.

Even if you have ridden other ATVs, take time to become familiar with how this ATV works and handles. Practice in a safe area until you build your skills and get accustomed to the ATV's size and weight.

Off-Road Use Only

Your ATV and its tyres are designed and manufactured for off-road use only, not for pavement. Riding on pavement can affect handling and control. You should not ride your ATV on pavement.

WARNING

Operating this ATV on paved surfaces may seriously affect handling and control of the ATV, and may cause the vehicle to go out of control.

Never operate the ATV on any paved surfaces, including sidewalks, driveways, parking lots and streets.

When riding off-road, also remember to always obey local off-road riding laws and regulations. Obtain permission to ride on private property. Avoid posted areas and obey “no trespassing” signs.

Safe Riding Precautions

You should never ride your ATV on public streets, roads or highways, even if they are not paved. Drivers of street vehicles may have difficulty seeing and avoiding you, which could lead to a collision. In many states it is illegal to operate ATVs on public streets, roads and highways.

WARNING

Operating this ATV on public streets, roads or highways could cause you to collide with another vehicle.

Never operate this ATV on any public street, road or highway, even a dirt or gravel one.

Keep Hands and Feet on Controls

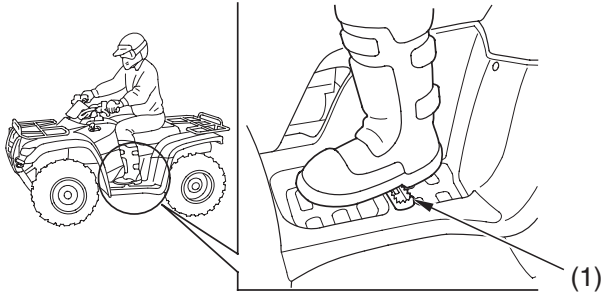
Always keep both hands on the handlebars and both feet on the footpegs when riding your ATV. This is important to maintain your balance and to control the vehicle. Removing even one hand from the handlebars or one foot from the footpegs can reduce your ability to control the ATV or could cause you to lose your balance and fall off the ATV.

WARNING

Removing hands from handlebars or feet from footpegs during operation can reduce your ability to control the ATV or could cause you to lose your balance and fall off of the ATV.

Always keep both hands on the handlebars and both feet on the footpegs of your ATV during operation.

Safe Riding Precautions



(1) footpeg

Control Speed

Riding at excessive speed increases the chance of an accident. In choosing a proper speed, you need to consider the capability of your vehicle, the terrain, visibility and other operating conditions, plus your own skills and experience.

⚠ WARNING

Operating this ATV at excessive speeds increases your chances of losing control of the ATV, which can result in an accident.

Always go at a speed that is proper for your vehicle, the terrain, visibility and other operating conditions, and your experience.

Safe Riding Precautions

Use Care on Unfamiliar or Rough Terrain

Before riding in a new area, always check the terrain thoroughly. Don't ride fast on unfamiliar terrain or when visibility is limited. (It's sometimes difficult to see obstructions like hidden rocks, bumps, or holes in time to react.)

WARNING

Failure to use extra care when operating this ATV on unfamiliar terrain could result in the ATV overturning or going out of control.

Go slowly and be extra careful when operating on unfamiliar terrain. Always be alert to changing terrain conditions when operating the ATV.

Safe Riding Precautions

Never ride past the limit of visibility. Maintain a safe distance between your ATV and other off-road vehicles. Always exercise caution, and use extra care on rough, slippery and loose terrain.

WARNING

Failure to use extra care when operating on excessively rough, slippery or loose terrain could cause loss of traction or vehicle control, which could result in an accident, including an overturn.

Do not operate on excessively rough, slippery or loose terrain until you have learned and practiced the skills necessary to control the ATV on such terrain. Always be especially cautious on these kinds of terrain.

Do Not Perform Stunts

You should always operate your ATV in a safe and reasonable manner. When riding, always keep all four wheels on the ground.

WARNING

Attempting wheelies, jumps, and other stunts increases the chance of an accident, including an overturn.

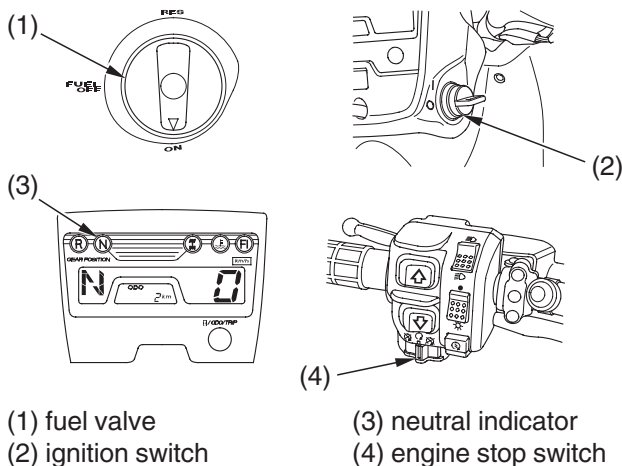
Never attempt stunts, such as wheelies or jumps. Don't try to show off.

Starting & Stopping the Engine

Always follow the proper starting procedure described below.

For your safety, avoid starting or operating the engine in an enclosed area such as a garage. Your ATV's exhaust contains poisonous carbon monoxide gas which can collect rapidly in an enclosed area and cause illness or death.

Preparation



1. Before starting, select a level surface and lock the parking brake (page 34).
2. Turn the fuel valve (1) and ignition switch (2) to ON (|).

Confirm the following:

- The transmission is in neutral (neutral indicator (3) ON).
- The engine stop switch (4) is set to RUN (O).

Starting & Stopping the Engine

Starting Procedure

This vehicle has a fuel-injected with an automatic choke.
Follow the procedure indicated below.

Any Air Temperature

- Press the start button with the throttle completely closed.

The engine will not start if the throttle is fully open (Because the electronic control module cuts off the fuel supply).

Starting & Stopping the Engine

Flooded Engine

If the engine fails to start after repeated attempts, it may be flooded with excess fuel. To clear a flooded engine:

1. Leave the engine stop switch set to RUN (\odot).
2. Open the throttle fully.
3. Press the start button for 5 seconds (or operate the recoil starter several times).
4. Follow the normal starting procedure.
5. If the engine starts, then open the throttle slightly if idling is unstable. If the engine does not start, wait 10 seconds, then follow steps 1 – 4 again.

If the engine still won't start, refer to *If Your Engine Quits or Won't Start*, page 182 .

Bank Angle Sensor Ignition Cut-off System

Your vehicle's banking (lean angle) sensor system is designed to automatically stop the engine if the vehicle is overturned.

Before restarting the engine, you must turn the ignition switch to the OFF (\odot) position and then back to ON ($|$). The engine will not restart until you perform this procedure.

Starting & Stopping the Engine

Stalled Engine


You can restart the engine while the vehicle is stopped by squeezing the front brake lever and pressing the start button.


Do not press the throttle lever while starting in gear. Your ATV is equipped with a start inhibitor system that will cut off the ignition if the throttle is open while attempting to start in gear.



Once you have started the engine, release the front brake lever, then apply throttle gradually.

How to Stop the Engine

Normal Engine Stop

To stop the engine, make sure the transmission is in neutral by checking that the neutral indicator lights, and turn the ignition switch OFF ().

The engine stop switch should normally remain in the RUN () position even when the engine is OFF.

If your ATV is stopped with the engine stop switch OFF () and the ignition switch ON (), the battery will discharge.

Emergency Engine Stop

To stop the engine in an emergency, use the engine stop switch. To operate, slide the switch to either OFF () position.

Starting & Stopping the Engine

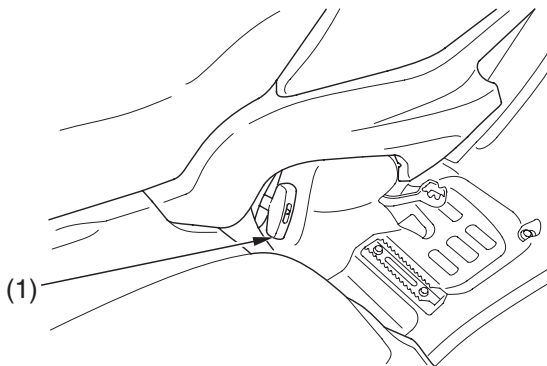
Using the Recoil Starter

The recoil starter is used to start the engine when the battery is low. To operate the recoil starter:

1. Check that the transmission is in neutral.
2. Grasp the starter grip (1) firmly, then pull it out slowly approximately 100 mm (4 in).
3. Pull the grip up briskly and fully.
4. After the engine starts, allow the starter grip to return slowly.

If the starter grip does not return smoothly (because of dirt in the assembly), see your Honda dealer.

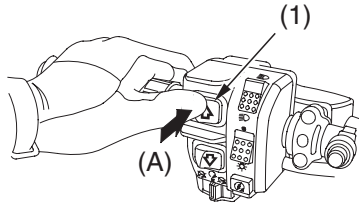
RIGHT SIDE



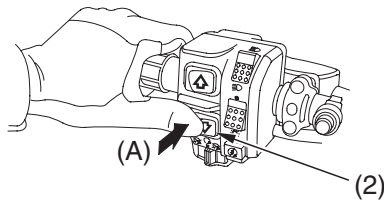
(1) starter grip

Shifting Gears

UPSHIFTING SEQUENCE



DOWNSHIFTING SEQUENCE



(1) upshift switch
(2) downshift switch

(A) press

Your ATV has five forward gears: 1, 2, 3, 4, and 5.

Two gearshift switches are located next to the left handlebar grip: upshift (\triangle) and downshift (∇).

To upshift the transmission, press the upshift switch (1) once.

To downshift the transmission, press the downshift switch (2) once.

To select reverse, use the reverse selector knob (page 68).

After starting the engine and letting it warm up, follow these procedures:

1. With the transmission in neutral, release the parking brake, but continue squeezing the rear brake lever.

(cont'd)

Shifting Gears

2. With the throttle closed, press the upshift switch once to shift into 1st (first) gear.
3. Release the rear brake lever and increase engine speed by gradually opening the throttle.
4. When speed increases, release the throttle and shift to 2nd gear by pressing the upshift switch once.
5. Repeat this sequence to progressively upshift to 3rd, 4th and 5th (top) gear.
6. To downshift, press the downshift switch once. Remember to close the throttle each time you shift to the next lower gear.

The transmission cannot be upshifted from neutral to 1st gear when the engine speed is above 3,000 rpm or the ground speed is above 3 km/h (2 mph).

The transmission cannot be downshifted from 1st gear to neutral when the ground speed is above 3 km/h (2 mph).

If the electric shift system malfunctions, the transmission cannot be shifted by pressing the gearshift switches. See your Honda dealer. (In an emergency, a gear may be selected manually so you may move the vehicle. See *Emergency Gear Selection & Operation*, page 186).

Learning when to shift gears comes with experience. Keep the following tips in mind:

- As a general rule, shift while moving in a straight line.
- Close the throttle completely before shifting. Improper shifting may damage the engine, transmission, and drive train.
- Upshift to a higher gear or reduce throttle before engine rpm (speed) gets too high. Learn the relationship between engine sound and the normal shifting points.

Shifting Gears

- Downshift to a lower gear before you feel the engine laboring (lugging) at low rpm.
- Avoid downshifting to help slow your ATV when engine rpm is high. Downshifting when engine speed is near its allowable maximum may over-rev the engine and cause possible damage.
- To prevent transmission damage, do not coast or tow the ATV for long distances with the engine off.

Recommended Shift Points

Ride in the highest gear that lets the engine run and accelerate smoothly. This will give you good fuel economy and effective emissions control.

Riding in Reverse

If you need to ride in reverse, make sure the area behind you is clear and only operate the ATV at low speed.

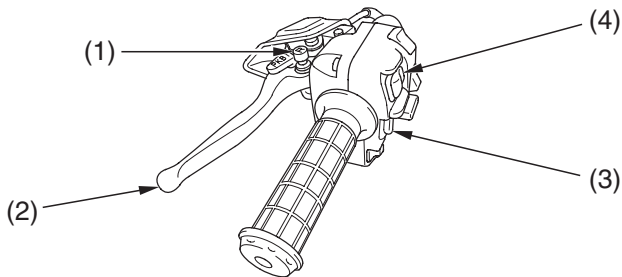
⚠ WARNING

Improperly operating in reverse could cause you to hit an obstacle or person behind you, resulting in serious injury.

Make sure there are no obstacles or people behind you before selecting reverse gear. When it is safe to proceed, go slowly.

1. Bring the vehicle to a complete stop, then make sure the transmission is in neutral.
2. Be sure there are no obstacles or people in the way.
3. While pushing the reverse selector knob (1) in, squeeze the rear brake lever/parking brake lever (2), then press the downshift switch (3) once to shift into “R” (reverse) gear.

LEFT HANDLEBAR



(1) reverse selector knob
(2) rear brake lever/
parking brake lever

(3) downshift switch
(4) upshift switch

Riding in Reverse

4. Release the rear brake lever/parking brake lever.
5. Open the throttle gradually and ride slowly. Do not open the throttle suddenly or make abrupt turns.
6. To stop, close the throttle and gradually apply both the front and rear brakes. Do not abruptly apply the rear brake by itself.
7. To shift out of reverse and into neutral, press the upshift switch (4) once to shift into “N” (neutral) gear.

The transmission cannot be shifted from neutral back into reverse when the engine speed is above 3,000 rpm or speed of your ATV is above 3 km/h (2 mph).

WARNING

Applying only the rear brake abruptly when operating in reverse gear could cause the front wheels to lift off the ground and the ATV could overturn backwards.

Carefully apply both the front and rear brakes when stopping in reverse gear.

Braking

Your ATV is equipped with disc brakes on both front wheels which are hydraulically activated by operating the right brake lever. A single drum brake on the rear axle housing is mechanically activated by depressing the brake pedal or operating the left brake lever.

TRX420FE only:

Although the front and rear brakes have separate controls, all four wheels are interconnected when your ATV is in the 4WD mode. So operating any brake control in the 4WD mode will cause braking at both the front and rear wheels.

As a general rule, the front braking system provides about 70 percent of total stopping power.

For full braking effectiveness, use both the pedal and lever simultaneously. Using both braking systems will stop your ATV faster with greater stability.

To slow or stop, apply the brake lever and brake pedal smoothly, while downshifting to match your speed.

Gradually increase braking as you feel the brakes slowing your speed. The increase in engine compression from downshifting will help slow your ATV.

Applying the brakes too hard may cause the wheels to lock and slide, reducing control of your ATV. If this happens, release the brake controls, steer straight ahead until you regain control, then reapply the brakes more gently.

When possible, reduce your speed or complete braking before entering a turn. Avoid braking or closing the throttle quickly while turning. Either action may cause one or more wheels to slip and reduce your control of your ATV.

Braking

Your ability to brake in a turn and to brake hard in an emergency situation are important riding skills.

When descending a long, steep grade, use engine compression braking by downshifting, with intermittent use of both brakes. Continuous brake application can overheat the brakes and reduce their effectiveness.

Riding with your foot resting on the brake pedal or your hands on the brake levers may overheat the brakes, reducing effectiveness.

For information on how to apply the brakes in various riding situations, see the following section, *Riding Your ATV*.

Riding Your ATV

Making Turns

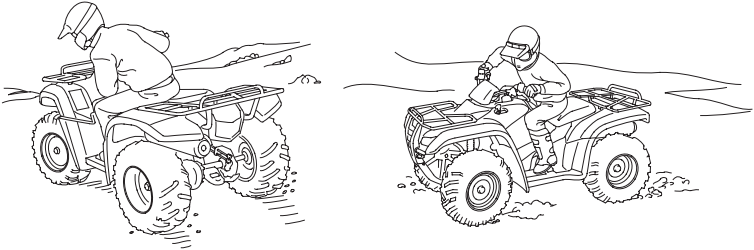
Learn how to turn your ATV properly. Practice the techniques outlined in this section on level ground and at low speeds until you are confident in making turns.

WARNING

Turning improperly can make the ATV go out of control, causing a collision or overturn.

- Always follow proper procedures for turning as described in this owner's manual.
- Practice turning at low speeds before attempting to turn at faster speeds.
- Do not turn at excessive speeds.

Riding Your ATV



Lean your body to the inside of a turn and forward.

To make a turn on level ground: Steer the handlebar and lean your body toward the inside of the turn. Leaning helps balance the vehicle, and it feels more comfortable. Leaning into a turn is an important technique to master in riding an ATV.

To make a sharp turn at low speed: It helps to shift your body slightly forward on the seat, and lean inside, as you steer the handlebar. Shifting weight forward allows the rear wheels to turn easier, and it also improves front-wheel steering.

To make a turn from a full stop: Apply the throttle gradually when you turn and start up at the same time. Remember to shift your body forward to make sharp low-speed turns and whenever you turn while accelerating from a full stop.

Riding Your ATV

Skidding or Sliding

The terrain surface can be a major factor affecting turns. Skidding during a turn is more likely to occur on slippery surfaces, such as snow, ice, mud and loose gravel. If you skid on ice, you may lose all directional control. To avoid skidding on slippery terrain, keep your speed low and ride with caution.

WARNING

Skidding or sliding improperly may cause you to lose control of this ATV. You may also regain traction unexpectedly, which may cause the ATV to overturn.

Learn to safely control skidding by practicing at low speeds and on level, smooth terrain.

If your ATV skids sideways during a turn, steer in the direction of the skid. Avoid hard braking or accelerating until you have regained directional control.

Riding Your ATV

Riding Up Hills

The ATV's ability to safely climb hills largely depends on the rider's skill and judgment. Begin by practicing on smooth, gentle slopes. As you gain experience, you'll learn the hazards and your own limitations. You may then proceed to ride on more difficult terrain. However, you must be able to decide which hills or hazards might cause the ATV to overturn. Avoid excessively steep hills.

WARNING

Operating on excessively steep hills can cause the vehicle to overturn more easily than operating on level surfaces or small hills.

Never operate the ATV on hills too steep for the ATV or for your abilities.

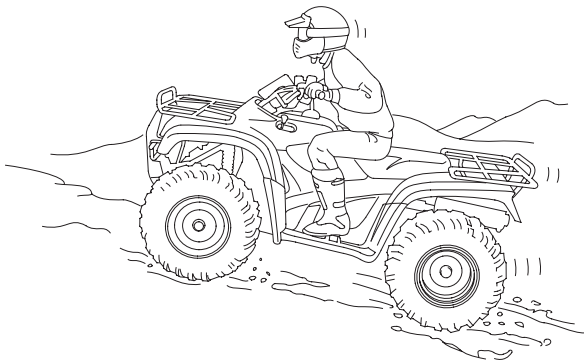
When climbing hills, you must shift weight toward the front wheels to help keep them on the ground. To do this, shift your body slightly forward on the seat and lean forward. For greater weight shift, move your body farther forward and lean forward.

WARNING

Climbing hills improperly could cause loss of control or cause the ATV to overturn.

Always follow proper procedures for climbing hills as described in this owner's manual.

Riding Your ATV



Shift weight forward when climbing hills.

- Always check the terrain carefully before you start up any hill.
- Never climb hills with excessively slippery or loose surfaces.
- To climb a hill, take a running start in an appropriate gear and speed for the conditions. Maintain a steady speed as you ascend the hill.
- Never open the throttle suddenly or make sudden gear changes. The ATV could flip over backward.
- Never go over the top of any hill at high speed. An obstacle, a sharp drop, or another vehicle or person could be on the other side of the hill.

Riding Your ATV

Stalling the ATV and/or Rolling Backwards:

If you incorrectly estimate climbing capability or terrain conditions, the ATV may not have enough power or traction to continue uphill. If this happens, the ATV can stall and/or roll backwards.

⚠ WARNING

Stalling, rolling backwards or improperly dismounting while climbing a hill could result in the ATV overturning.

Always follow proper procedures for climbing a hill as described in this owner's manual.

What to do if the ATV stalls or rolls backwards when climbing a hill:

If you are about to lose all forward speed:

1. Using the front and rear brakes together, bring the ATV to a stop with the vehicle pointed straight uphill.
2. Get off the ATV while you continue holding the brakes.
3. Shift into neutral, set the parking brake and turn the engine off.
4. Then assess the situation.

If the ATV starts rolling backwards before you begin braking:

1. Keep your weight uphill.
2. Carefully apply the front brakes first, then carefully apply the rear brake. Do not apply either brake abruptly if you are rolling backwards, or the vehicle may overturn.

If the ATV continues sliding backwards:

After you've applied the brakes, get off and away from the vehicle.

TRX420FE only:

Remember that operating any brake control in the 4WD mode will cause braking at both the front and rear wheels.

Riding Your ATV

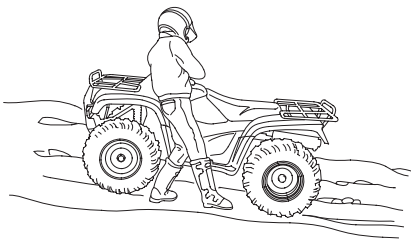
What to do after the ATV has stalled or rolled backwards:

If the hill is too steep or too slippery, or if you have any doubt whether you can safely walk the ATV back down the hill, leave the vehicle where it is and get help. If possible, block the wheels so the vehicle doesn't roll backwards.

If the hill is not too steep and you have good footing, you may be able to walk the ATV back down the hill. Make sure your intended path is clear in case you lose control of the ATV.



Be sure your legs are clear of the wheels.



Body position for backing down a hill.

1. Stand with your body facing downhill, beside the vehicle so you can reach the rear brake lever with your right hand.
2. Be sure your legs are clear of the wheels.
3. Check your footing.
4. Slowly and carefully back the ATV down the hill using the rear brake lever to control speed.
5. If you lose control of the ATV, for your safety, get away from the vehicle.

Riding Your ATV

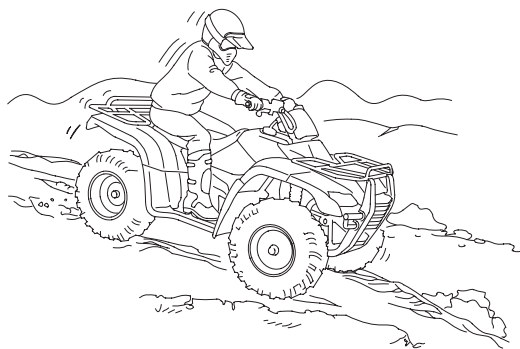
Riding Down Hills

It's usually advisable to descend hills with the ATV pointed straight downhill. Avoid angles that would cause the vehicle to lean sharply to one side.

⚠ WARNING

Going down a hill improperly could cause loss of control or cause the ATV to overturn.

Always follow proper procedures for going down hills as described in this owner's manual.



On downhills, shift your weight back.

As you approach a downhill, stop and survey the terrain below. Never ride past the limit of your visibility. Never go down a hill at high speed.

Riding Your ATV

When you've selected a safe downhill path, shift into a lower gear, shift your weight back with your arms extended and braced against the handlebar, then go down slowly with the throttle closed.

Use mainly the rear brake to control speed. Avoid using either the front brake or rear brake hard or abruptly when riding down hills.

TRX420FE only:

Remember that operating any brake control in the 4WD mode will cause braking at both the front and rear wheels.

Remember, braking effectiveness is reduced on any hill with a loose surface.

Crossing or Turning on Hills or Slopes

Riding on hills or slopes is different from riding on level terrain. Be careful when riding on any hill. Make sure that you practice on gentle, smooth slopes before attempting to ride on steeper or more difficult terrain.

WARNING

Improperly crossing hills or turning on hills could cause loss of control or cause the ATV to overturn.

Always follow proper procedures for crossing or turning on slopes as described in this Owner's Manual. Avoid crossing steep hills if possible.

Riding Your ATV

Crossing Hills or Slopes

- To maintain balance and stability when riding across a slope, you need to shift weight toward the uphill side of the vehicle. To do this, move your body off the centre of the seat and lean toward the uphill side.
- On a slippery or loose surface, you may also need to steer slightly uphill to maintain a straight course across the slope.
- Avoid crossing hills that are excessively steep, slippery or rough.



Shift weight uphill when crossing slopes.

Making Turns on Slopes

- Compared to riding on level ground, you may need to shift more weight and lean more when making turns on slopes.
- Do not make turns on any slopes until you have first mastered the techniques for making turns on level terrain.

Riding Your ATV

Riding Over Obstacles

Before operating in a new area, check for obstacles. Watch out for bumps, rain ruts, potholes and other obstacles in the terrain. When you approach any obstacle, reduce your speed and be prepared to stop. Never try to ride over large obstacles, such as large rocks or fallen logs.

WARNING

Improperly operating over obstacles could cause loss of control or a collision and could cause the ATV to overturn.

When you go over obstacles, always follow proper procedures as described in this owner's manual.

Riding Your ATV

Riding Through Water

Your ATV is designed to travel through water up to approximately 254 mm (10 inches) deep. Before crossing a stream, make sure the water is not too deep or flowing too fast.

WARNING

The ATV tyres have some ability to float. Operating this ATV through deep or fast-flowing water may cause a loss of traction and loss of control, which could lead to an accident.

Never operate this ATV in fast-flowing water or in water deeper than that specified in this Owner's Manual.

1. Choose a path where both banks have gradual slopes.
2. Proceed through the water at a slow, steady speed.
3. Watch out for submerged obstacles and slippery rocks.
4. Avoid getting the spark plug or air cleaner wet, as this would cause the engine to stop.
5. After leaving the water, always test both the front and rear brakes.
 - Riding through water can make the brakes less effective than normal, and may reduce stopping ability.
 - If necessary, apply the brakes repeatedly until they dry out and operate normally.
 - If the brakes don't regain effectiveness, stop your ATV and follow the procedures on page 149 .

Parking

1. Look for level parking area. Make sure the ground surface is firm.
2. After bringing your ATV to a stop, hold the brakes while you shift into neutral.
3. Set the parking brake.
4. Turn the ignition switch OFF (\bigcirc).
5. If you're through riding for the day, turn the fuel valve OFF.

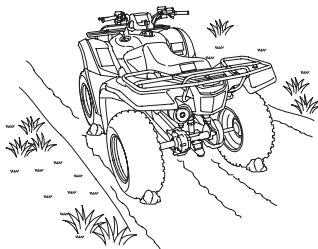
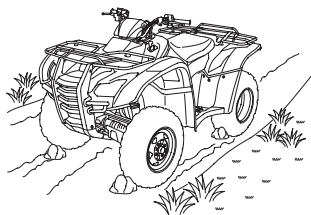
If it is necessary to start the engine when your ATV is stopped on a grade in gear, rock the vehicle back and forth to allow shifting the transmission into neutral.

The brakelights are activated by applying the parking brake. When using the parking brake, be sure to turn the ignition switch OFF (\bigcirc) to avoid discharging the battery.

Parking on a Steep Incline or a Loose or Slippery Surface

If you must park your ATV on a steep incline or loose or slippery surface, use the following procedure:

1. While holding the brakes, set the parking brake.
2. Turn the ignition switch OFF (\bigcirc) and release the brakes.
3. If the ATV begins to move, either while sitting on it or after you dismount, find a better parking location.
4. If rocks or other objects are available, you can block the wheels as shown for additional security.



Servicing Your Honda

To help keep your ATV in good shape, this section includes a Maintenance Schedule for required service and step-by-step instructions for specific maintenance tasks. You'll also find important safety precautions, information on fuels and oils, and tips for keeping your Honda looking good.

For information about replacing fuses, see page 193 .

Before You Service Your Honda

The Importance of Maintenance	87
Maintenance Safety	88
Important Safety Precautions	89
Maintenance Schedule	90
Maintenance Record.....	94

Service Preparations

Maintenance Component Locations.....	95
Tool Kit	98
Owner's Manual Storage.....	99
Seat Removal	100
Clip Removal	101

(cont'd)

Servicing Your Honda

Service Procedures

Fluids & Filters

Fuel	102
Engine Oil & Filter.....	105
Gear Case Oil	114
Differential Oil (TRX420FE only).....	116
Coolant	118
Air Cleaner	124

Engine

Throttle.....	130
Clutch System	132
Reverse Lock System.....	133
Spark Plug.....	134
Valves.....	137
Spark Arrester	138

Chassis

Brakes.....	139
Tyres	150
Engine Guard & Skid Plate	157
Driveshaft Boots (TRX420FE only).....	158
Propeller Shaft Boots & Yoke Joint Boot	159

Electrical

Battery	160
Appearance Care	165

The Importance of Maintenance

A well-maintained ATV is essential for safe, economical, and trouble-free riding. It will also help reduce air pollution. Careful pre-ride inspections and good maintenance are especially important because your ATV is designed to be ridden over rough off-road terrain.

To help you properly care for your ATV, this section of the manual provides a Maintenance Schedule. The service intervals in this schedule are based on average riding conditions.

WARNING

Improperly maintaining this ATV or failing to correct a problem before you ride can cause a crash in which you can be seriously hurt or killed.

Always follow the inspection and maintenance recommendations and schedules in this owner's manual.

Frequent servicing of the air cleaner is especially important to help you avoid a possible costly engine repair.

If your ATV overturns or is involved in a crash, be sure your Honda dealer inspects all major parts, even if you are able to make some repairs.

Maintenance Safety

This section includes instructions on how to perform some important maintenance tasks. If you have basic mechanical skills, you can perform many of these tasks with the tools provided with your ATV.

Other tasks that are more difficult and require special tools are best performed by professionals. Removing the wheels should normally be handled only by a Honda technician or other qualified mechanic. Instructions are included in this manual only to assist in emergency service.

Some of the most important safety precautions follow. However, we cannot warn you of every conceivable hazard that can arise in performing maintenance. Only you can decide whether or not you should perform a given task.

WARNING

Failure to properly follow maintenance instructions and precautions can cause you to be seriously hurt or killed.

Always follow the procedures and precautions in this owner's manual.

Maintenance Safety

Important Safety Precautions

- Make sure the engine is off before you begin any maintenance or repairs. This will help eliminate several potential hazards:
 - **Carbon monoxide poisoning from engine exhaust.** Be sure there is adequate ventilation whenever you operate the engine.
 - **Burns from hot ATV parts.** Let the engine and exhaust system cool before touching.
 - **Injury from moving parts.** Do not run the engine unless instructed to do so.
- Read the instructions before you begin, and make sure you have the tools and skills required.
- To reduce the possibility of a fire or explosion, be careful when working around petrol. Use only non-flammable solvent, not petrol, to clean parts. Keep cigarettes, sparks, and flames away from all fuel-related parts.

Remember that your Honda dealer knows your ATV best and is fully equipped to maintain and repair it. To ensure the best quality and reliability, use only new genuine Honda parts or other equivalents for repair and replacement. If you have the tools and skills required for additional maintenance jobs, you can purchase an official Honda Shop Manual.

Maintenance Schedule

The required Maintenance Schedule that follows specifies how often you should have your ATV serviced, and what things need attention. It is essential to have your ATV serviced as scheduled to maintain safe, dependable performance and proper emission control.

The service intervals in this Maintenance Schedule are based on average riding conditions. Some items will need more frequent service if you ride in unusually wet or dusty areas or at full throttle. Consult your Honda dealer for recommendations applicable to your individual needs and use.

Some items in the Maintenance Schedule can be performed with basic mechanical skills and hand tools. Procedures for these items are provided in this manual. Other items involve more extensive procedures and may require special training, tools, and equipment. We recommend that you have your Honda dealer perform these tasks unless you have advanced mechanical skills and the required tools and equipment. Procedures for such items in this schedule are provided in an official Honda Shop Manual available for purchase.

If you do not feel capable of performing a given task or need assistance, remember that your Honda dealer knows your ATV best and is fully equipped to maintain and repair it. If you decide to do your own maintenance, use only genuine Honda parts or their equivalents for repair or replacement to ensure the best quality and reliability.

Maintenance Schedule

Perform the pre-ride inspection (page 43) and owner maintenance on this section at each scheduled maintenance period.

Each item on the maintenance schedule requires some mechanical knowledge. Certain items (particularly those marked * and **) may require more technical information and tools. Consult your Honda dealer.

- * Should be serviced by your Honda dealer, unless you have the proper tools and service data and are mechanically qualified. Refer to the official Honda Shop Manual.
- ** In the interest of safety, we recommend these items be serviced only by your Honda dealer.

Summary of Maintenance Schedule Notes & Procedures:

NOTES:

1. Service more frequently when riding in dusty areas, sand or snow.
2. Service more frequently after riding in very wet or muddy conditions.
3. Replace every 2 years. Replacement requires mechanical skill.

Maintenance Schedule

Maintenance Procedures:

I: inspect and clean, adjust, lubricate, or replace, if necessary

C: clean

A: adjust

L: lubricate

R: replace

ITEMS	FREQUENCY	WHICHEVER COMES FIRST		INITIAL MAINT.	REGULAR MAINT. INTERVAL		Refer to page
		↔	km	150	1000	2000	
			mi	100	600	1200	
		NOTE	HOURS	20	100	200	
* FUEL LINE					I		—
* THROTTLE OPERATION					I		130
AIR CLEANER	NOTE 1				C	C	124
AIR CLEANER HOUSING DRAIN TUBE	NOTE 2				I	I	129
SPARK PLUG					I	I	134
* VALVE CLEARANCE				I	I	I	137
ENGINE OIL				INITIAL= 150 km (100 mi), 20 operating hours or 1 month: R REGULAR= Every 1,000 km (600 mi), 100 operating hours or 12 months: R			105
ENGINE OIL FILTER				R	R	R	110
RADIATOR COOLANT	NOTE 3				I	I	118
* COOLING SYSTEM	NOTE 2				I	I	—

* Should be serviced by your Honda dealer, unless you have the proper tools and service data and are mechanically qualified. Refer to the official Honda Shop Manual.

Maintenance Schedule

ITEMS		FREQUENCY		WHICHEVER	INITIAL	REGULAR		Refer to page
		COMES		MAINT.	MAINT. INTERVAL			
		FIRST	km	150	1000	2000		
		⇔	mi	100	600	1200		
NOTE		HOURS	20	100	200			
	DRIVESHAFT BOOTS (TRX420FE only)						158	
	REAR FINAL GEAR CASE OIL AND DIFFERENTIAL OIL (TRX420FE only)				R: (EVERY 2 YEARS)		114, 116	
	REAR FINAL GEAR CASE OIL (TRX420TE only)				R: (EVERY 2 YEARS)		114	
*	2WD/4WD SELECT SYSTEM (TRX420FE only)						—	
*	BRAKE FLUID	NOTE 3					139	
*	BRAKE SHOES WEAR	NOTE 1					147	
*	BRAKE PADS WEAR	NOTE 1, 2					142	
*	BRAKELIGHT SWITCH						148	
	BRAKE SYSTEM						139	
*	REVERSE LOCK SYSTEM						133	
	SKID PLATE, ENGINE GUARD						157	
*	CLUTCH SYSTEM						132	
*	SUSPENSION						—	
*	SPARK ARRESTER				C	C	138	
*	NUTS, BOLTS, FASTENERS						—	
**	WHEELS/TYRES						150	
**	TIE-ROD AND JOINT BOOTS						—	
**	STEERING SHAFT HOLDER BEARINGS						—	
**	STEERING SYSTEM						—	

* Should be serviced by your Honda dealer, unless you have the proper tools and service data and are mechanically qualified. Refer to the official Honda Shop Manual.

** In the interest of safety, we recommend these items be serviced only by your Honda dealer.

Maintenance Record

Keeping an accurate maintenance record will help ensure that your ATV is properly maintained. Retain detailed receipts to verify the maintenance was performed. If the ATV is sold, these receipts should be transferred with the ATV to the new owner. Make sure whoever performs the maintenance completes this record. All scheduled maintenance, including the 150 km (100 mile) or 20 hours initial maintenance, is considered a normal owner operating cost and will be charged for by your dealer. Use the space under Notes to record anything you want to remind yourself about or mention to your dealer.

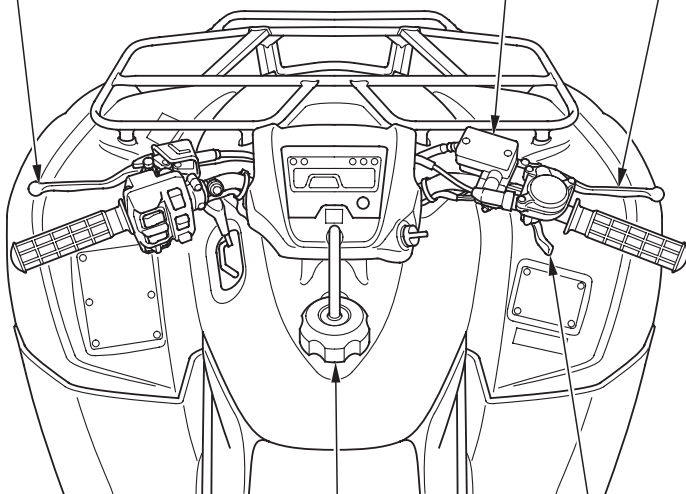
km (Miles) or hours	ODO or HOUR	Date	Performed By:	Notes
150 (100) or 20				
1,000 (600) or 100				
2,000 (1,200) or 200				
3,000 (1,800) or 300				
4,000 (2,400) or 400				
5,000 (3,000) or 500				
6,000 (3,600) or 600				
7,000 (4,200) or 700				
8,000 (4,800) or 800				

Maintenance Component Locations

rear brake lever/
parking brake lever

front brake fluid reservoir

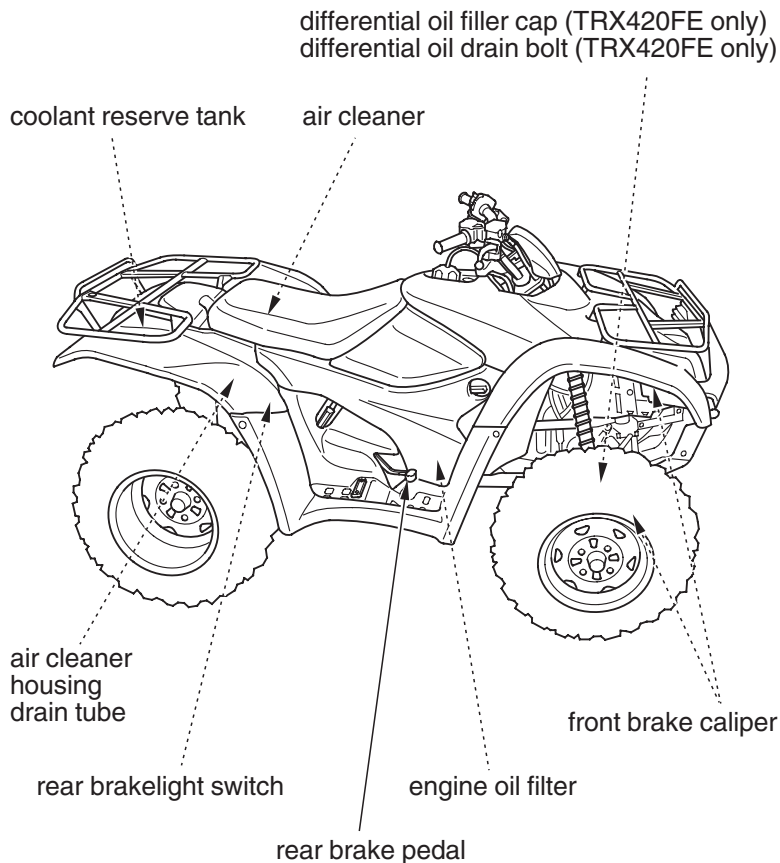
front brake lever



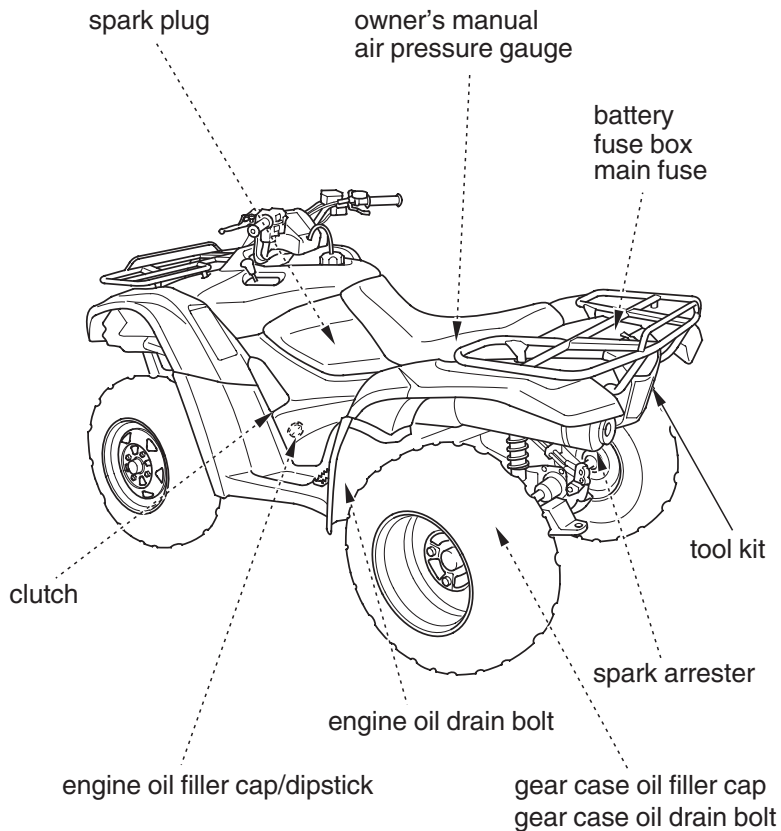
fuel fill cap

throttle lever

Maintenance Component Locations



Maintenance Component Locations



Tool Kit

The tool kit (1) is stored in the storage compartment (2) below the rear cargo rack.

To open the compartment, unhook the rubber strap (3).

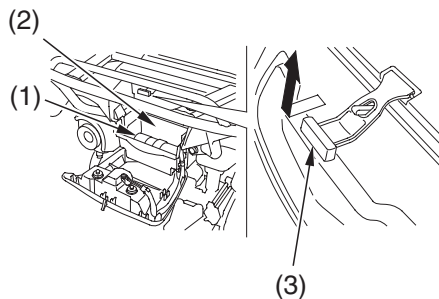
The gear change tool (4) is stored underside of the seat.

The tools in the kit are sufficient to perform routine maintenance and simple repairs. Any extensive work requiring additional tools should be performed by your Honda dealer.

The tool kit includes the following items:

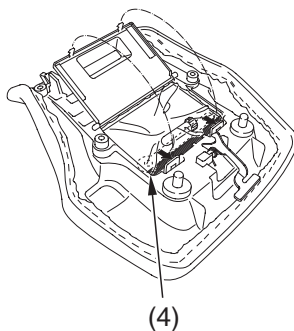
- * standard/Phillips screwdriver
- * screwdriver handle
- * 10 × 12 mm open end wrench
- * 14 × 17 mm open end wrench
- * spark plug wrench and handlebar
- * pliers
- * tool case
- * 5 mm hex wrench

REAR



- (1) tool kit
(2) storage compartment

SEAT UNDERSIDE



- (3) rubber strap
(4) gear change tool

Owner's Manual Storage

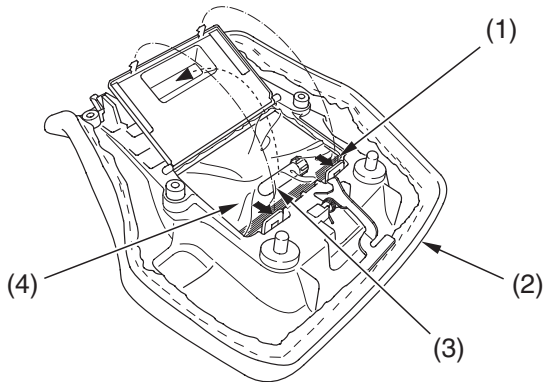
Your ATV provides storage for the owner's manual so you'll have it with you for easy reference. Store your owner's manual (1) in the plastic document bag (2) underside of the seat (2).

The owner's manual and air pressure gauge (3) should be stored in the plastic document bag (4).

To remove the seat, see page 100 .

Be careful not to flood this area when washing your ATV.

SEAT UNDERSIDE



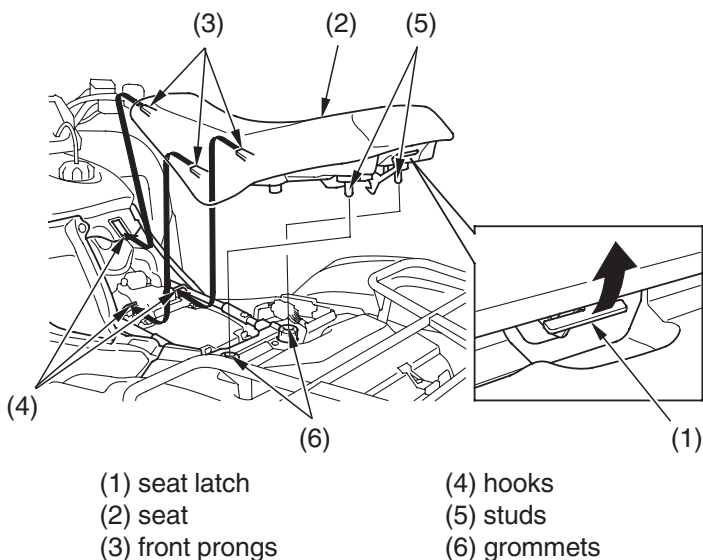
(1) owner's manual
(2) seat

(3) air pressure gauge
(4) plastic document bag

Seat Removal

Refer to *Safety Precautions* on page 89 .

The seat must be removed for the air cleaner, engine oil, engine oil filter, clutch, spark plug, battery and fuse maintenance and to remove the side covers, rear fender cover and left tank side cover, to access the owner's manual, air pressure gauge, gear change tool, coolant reserve tank cap and colour label.



Removal

1. Pull the seat latch (1) at the rear of the seat.
2. Slide the seat (2) back and lift it.

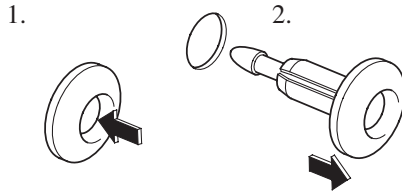
Installation

1. Insert the front prongs (3) into the hooks (4) on the frame and press the studs (5) into the grommets (6).
2. Press down on the seat until locks.

Clip Removal

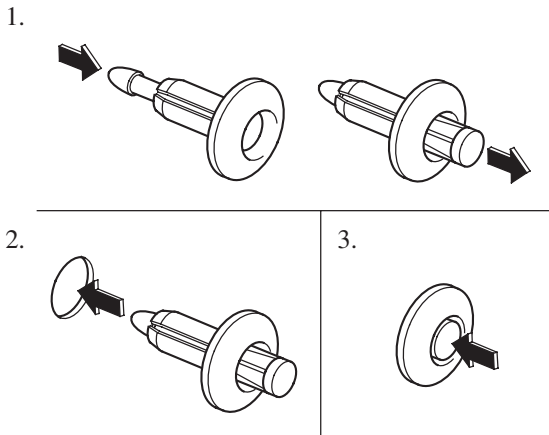
Removal

1. Press down on the center pin to release the lock.
2. Pull the clip out of the hole.



Installation

1. Push the bottom of the pin.
2. Insert the clip into the hole.
3. Lightly press down on the center pin to lock the clip.



Fuel

Refer to *Safety Precautions* on page 89 .

Fuel Recommendation

type	unleaded
research octane number	91 (or higher)

We recommend that you use unleaded fuel because it produces fewer engine deposits and extends the life of exhaust system components.

Your engine is designed to use any petrol that has a pump octane number $(R+M)/2$ of 86 or higher, or a research octane number of 91 or higher. Petrol pumps at service stations normally display the pump octane number. For information on the use of *Petrol Containing Alcohol*, see page 209 .

Use of lower octane petrol can cause persistent “pinging” or “spark knock” (a loud rapping noise) which, if severe, can lead to engine damage. Light pinging experienced while operating under a heavy load, such as climbing a hill, is no cause for concern.

If pinging or spark knock occurs at a steady engine speed under normal load, change brands of petrol. If pinging or spark knock persists, consult your Honda dealer.

Never use stale or contaminated petrol or an oil/petrol mixture. Avoid getting dirt, dust, or water in the fuel tank.

Fuel Capacity

Fuel tank capacity, including reserve:

13.7 ℓ (3.62 US gal , 3.01 Imp gal)

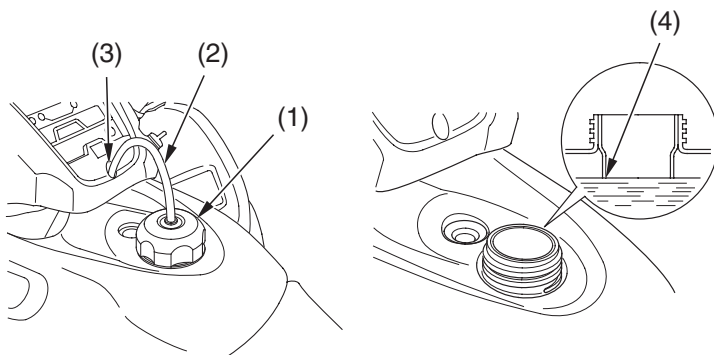
Reserve capacity:

2.8 ℓ (0.74 US gal , 0.62 Imp gal)

The tank should be refilled as soon as possible after switching to reserve, and the fuel valve should be returned to the ON position after refueling to avoid running out of fuel with no reserve.

Refueling Procedure

Refer to *Safety Precautions* on page 89.



(1) fuel fill cap
(2) breather tube

(3) handlebar cover hole
(4) filler neck

Fuel

1. To open the fuel fill cap (1), turn it counterclockwise.
2. Pull the breather tube (2) out of the handlebar cover hole (3).
3. Add fuel until the level reaches the bottom of the filler neck (4).
Avoid over filling the tank. There should be no fuel in the filler neck.

WARNING

Petrol is highly flammable and explosive. You can be burned or seriously injured when handling fuel.

- Stop the engine and keep heat, sparks and flame away.
- Handle fuel only outdoors.
- Wipe up spills immediately.

4. After refueling, turn the fuel fill cap clockwise until it clicks.
5. Insert the breather tube into the handlebar cover hole.
6. If the fuel valve was set to RES, turn the fuel valve ON.

If you replace the fuel fill cap, use only a genuine Honda replacement part.

Engine Oil & Filter

Engine oil quality is a major factor that affects both the performance and the service life of the engine.

Using the proper oil (page 106) and filter, and regularly checking, adding, and changing oil will help extend your engine's life. Even the best oil wears out. Changing oil helps get rid of dirt and deposits in the engine. Operating the engine with old or dirty oil can damage your engine. Running the engine with insufficient oil can cause serious damage to the engine and transmission.

Change the engine oil as specified in the maintenance schedule on page 92 . When running in very dusty conditions, oil changes should be performed more frequently than specified in the maintenance schedule.

Engine Oil & Filter

Oil Recommendation

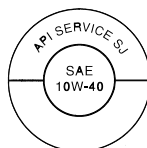
API classification *	SE, SF or SG
viscosity (weight)	SAE 10W-40
suggested oil	Honda 4-stroke oil or an equivalent

* Motor oils intended for Service SE, SF or SG will show this designation on the container.

- Your ATV does not need oil additives. Use the recommended oil.
- Do not use oils with graphite or molybdenum additives. They may adversely affect clutch operation.
- Do not use API SH or higher oils displaying a circular API “energy conserving” service label on the container. They may affect lubrication and clutch performance.



NOT RECOMMENDED

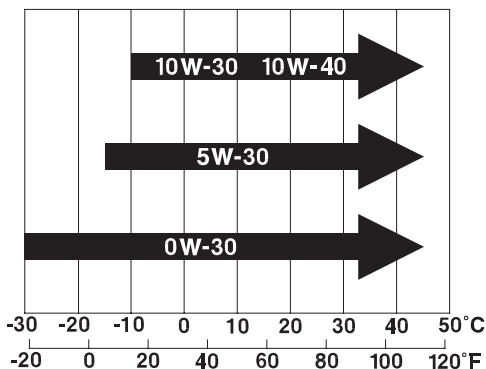


OK

- Do not use non-detergent, vegetable, or castor based racing oils.

Engine Oil & Filter

Other viscosities shown in the following chart may be used when the average temperature in your riding area is within the indicated range.

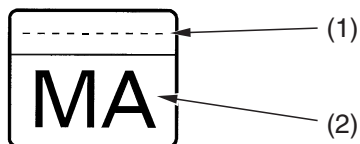


JASO T 903 standard

The JASO T 903 standard is an index for engine oils for 4-stroke motorcycle engines.

There are two classes: MA and MB.

Oil conforming to the standard is labeled on the oil container. For example, the following label shows the MA classification.



PRODUCT MEETING JASO T 903
COMPANY GUARANTEEING THIS MA PERFORMANCE:

- (1) code number of the sales company of the oil
- (2) oil classification

Engine Oil & Filter

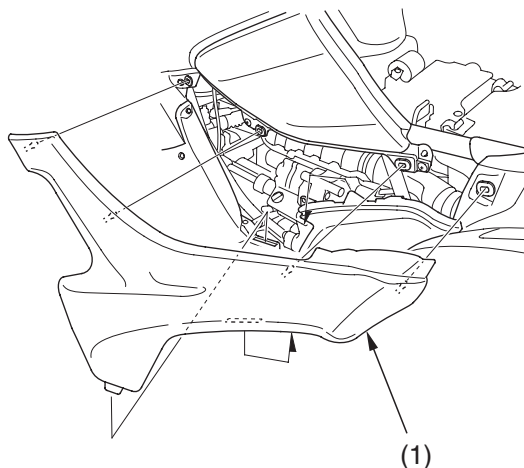
Checking & Adding Oil

Refer to *Safety Precautions* on page 89 .

Check the engine oil level each day before operating your ATV and add if needed.

1. Park your ATV on a firm, level surface.
2. Start the engine in a well-ventilated area and let it idle for 3–5 minutes. Stop the engine and wait 2–3 minutes.
3. Remove the seat (page 100).
4. Unsnap and remove the left side cover (1).

LEFT SIDE



(1) left side cover

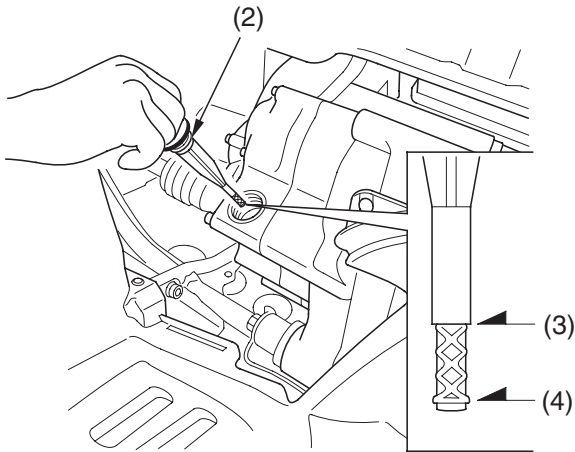
Engine Oil & Filter

- Remove the oil filler cap/dipstick (2) from the front crankcase and wipe it clean.
- Insert the oil filler cap/dipstick without screwing it in, then remove the oil filler cap/dipstick and check the oil level. The oil level should be between the upper level mark (3) and the lower level mark (4) on the oil filler cap/dipstick.
- If required, add the specified oil into the filler cap hole, up to the upper level mark on the oil filler cap/dipstick. Do not overfill.
- Reinstall the oil filler cap/dipstick.
- Install the left side cover.
- Install the seat.

NOTICE

Running the engine with an improper oil level can cause serious engine damage.

LEFT SIDE



(2) oil filler cap/dipstick

(3) upper level mark

(4) lower level mark

Engine Oil & Filter

Changing Engine Oil & Filter

Refer to *Safety Precautions* on page 89 .

Your ATV's oil filter has very specific performance requirements. Use a new genuine Honda oil filter specified for your model or a filter of equal quality.

NOTICE

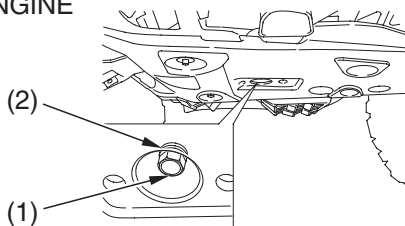
Using the wrong oil filter may result in leaks or premature engine damage.

This procedure requires mechanical skill and professional tools such as a torque wrench and oil filter wrench, as well as a means for disposing of the drained fluid (page 178). If you do not have the skills or the tools, see your Honda dealer.

Drain the Engine Oil:

1. With the ATV on the level ground, remove the seat (page 100), left side cover (page 108) and the oil filler cap/dipstick from the front crankcase.
2. Place an oil drain pan under the crankcase and remove the engine oil drain plug (1) and sealing washer (2).

UNDER ENGINE



(1) engine oil drain plug

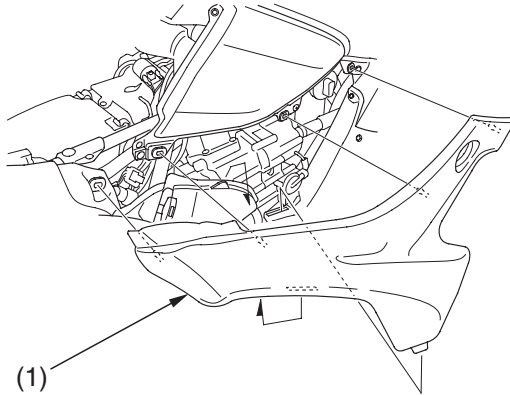
(2) sealing washer

Engine Oil & Filter

Install a New Engine Oil Filter:

1. Remove the seat (page 100).
2. Unsnap and remove the right side cover (1).

RIGHT SIDE



(1) right side cover

(cont'd)

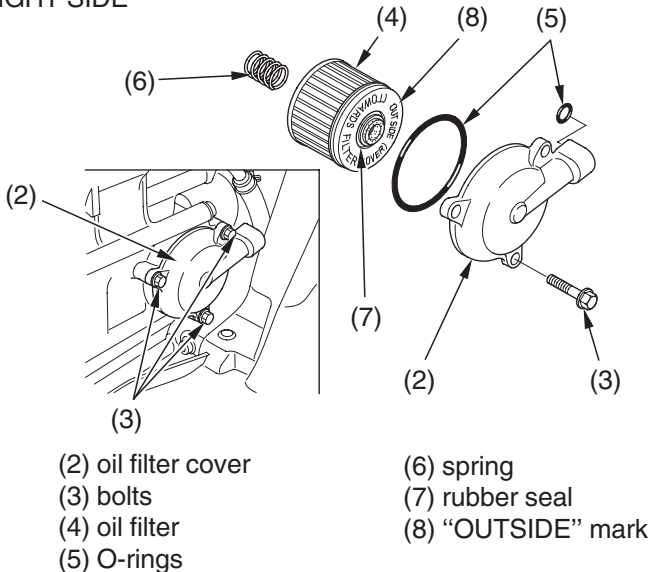
Engine Oil & Filter

3. Remove the oil filter cover (2) by removing the bolts (3). Let the remaining oil drain out. Discard the oil filter (4) in an approved manner (page 178).
4. Check that the oil filter cover O-rings (5) are in good condition and then install a new oil filter. Use only the Honda genuine oil filter or a filter of equivalent quality specified for your model. Using the wrong Honda filter or a non-Honda filter which is not of equivalent quality may cause engine damage.
5. Reposition the spring (6) to the engine crankcase and install a new oil filter with the rubber seal (7) facing out, away from the engine. You will see the “OUTSIDE (TOWARDS FILTER COVER)” mark (8) on the filter body, near the seal.

NOTICE

Improper installation of the oil filter can cause serious engine damage.

RIGHT SIDE



Engine Oil & Filter

6. Reinstall the oil filter cover, making sure the bolts are tightened to the specified torque:
10 N·m (1.0 kgf·m , 7 lbf·ft)
7. Pour the drained oil into a suitable container and dispose of it in an approved manner (page 178).
8. Install the right side cover.

NOTICE

Improper disposal of drained fluids is harmful to the environment.

Add Engine Oil:

1. Check that the drain plug sealing washer is in good condition. If necessary, replace the sealing washer.
2. Reinstall the oil drain plug and tighten it to the specified torque:
25 N·m (2.5 kgf·m , 18 lbf·ft)
3. Fill the crankcase with the recommended grade oil approximately:
2.7 ℓ (2.9 US qt , 2.4 Imp qt)
4. Reinstall the oil filler cap/dipstick.
5. Start the engine and let it idle for 3 – 5 minutes.
6. Stop the engine, wait 2 – 3 minutes and check the oil level. Make sure the oil is between the upper and lower level marks on the oil filler cap/dipstick. If necessary, add more oil but do not overfill.
7. Check that there are no oil leaks.
8. Install the left side cover.
9. Install the seat.

If a torque wrench is not used for installation, see your Honda dealer as soon as possible to verify proper assembly.

Gear Case Oil

Oil Recommendation

type	hypoid gear oil
viscosity (weight)	SAE 80

Changing Oil

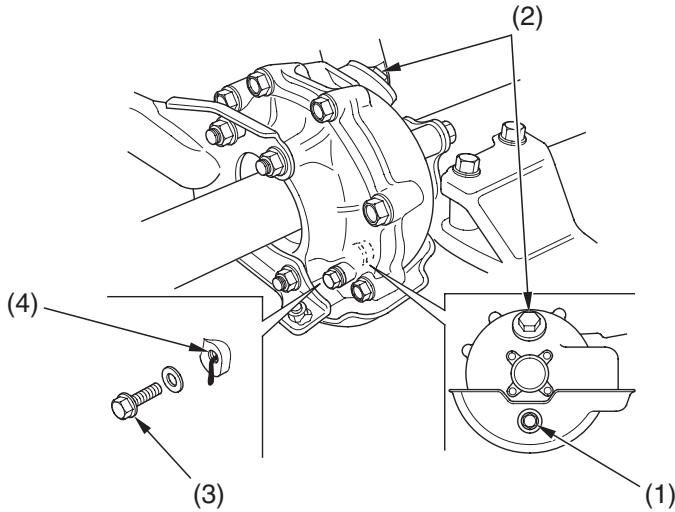
Refer to *Safety Precautions* on page 89.

Change the oil with the gear case at normal operating temperature to assure complete and rapid draining.

Gear Case Oil

1. Park the ATV on level ground.
2. Place an oil drain pan under the oil drain plug (1).
3. Remove the oil filler cap (2) and the drain plug.
4. After the oil has completely drained, reinstall the drain plug and tighten it to the specified torque:
12 N·m (1.2 kgf·m , 9 lbf·ft)
5. Fill the gear case with the recommended oil.
75 cm³ (2.5 US oz , 2.6 Imp oz)
6. Remove the oil level check bolt (3). Make sure the oil level reaches the oil level check hole (4).
7. Install the oil filler cap and oil level check bolt.

REAR



(1) oil drain plug
(2) oil filler cap

(3) oil level check bolt
(4) oil level check hole

Differential Oil (TRX420FE only)

Oil Recommendation

type	hypoid gear oil
viscosity (weight)	SAE 80

Changing Oil

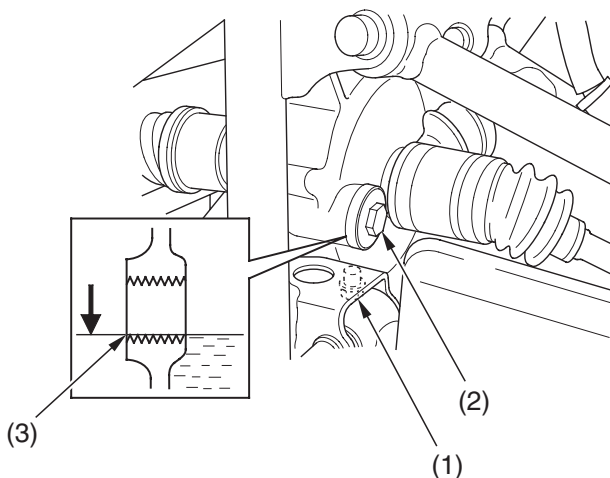
Refer to *Safety Precautions* on page 89.

Change the oil with the differential at normal operating temperature to assure complete and rapid draining.

Differential Oil (TRX420FE only)

1. Park the ATV on level ground.
2. Place an oil drain pan under the oil drain plug (1).
3. Remove the oil filler cap (2) and the drain plug.
4. After the oil has completely drained, reinstall the drain plug and tighten it to the specified torque:
12 N·m (1.2 kgf·m , 9 lbf·ft)
5. Fill the differential with the recommended oil.
230 cm³ (7.8 US oz , 8.1 Imp oz)
Make sure the oil level is at the lower edge of the oil filler inspection hole (3).
6. Install the oil filler cap.

FRONT



(1) oil drain plug
(2) oil filler cap

(3) oil filler inspection hole

Coolant

Your ATV's liquid cooling system dissipates engine heat through the coolant jacket that surrounds the cylinder and cylinder head.

Maintaining the coolant will allow the cooling system to work properly and prevent freezing, overheating, and corrosion.

Coolant Recommendation

Use Pro Honda HP coolant or an equivalent high quality ethylene glycol antifreeze containing corrosion protection inhibitors specifically recommended for use in aluminum engines. Check the antifreeze container label.

Use only distilled water as a part of the coolant solution. Water that is high in mineral content or salt may be harmful to the aluminum engine.

NOTICE

Using coolant with silicate inhibitors may cause premature wear of water pump seals or blockage of radiator passages. Using tap water may cause engine damage.

The factory provides a 50/50 solution of antifreeze and water in this ATV. This coolant solution is recommended for most operating temperatures and provides good corrosion protection.

Decreasing the concentration of antifreeze to less than 40% will not provide proper corrosion protection.

Coolant

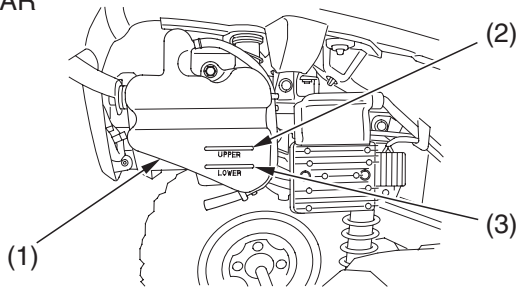
Increasing the concentration of antifreeze is not recommended because it decreases cooling system performance. Higher concentrations of antifreeze (up to 60%) should only be used to provide additional protection against freezing. Check the cooling system frequently during freezing weather.

Checking & Adding Coolant

Refer to *Safety Precautions* on page 89 .

Check the engine coolant level each day before operating your ATV and add if needed.

RIGHT REAR



(1) reserve tank

(3) LOWER level mark

(2) UPPER level mark

1. Make sure the vehicle is on level ground.
2. With the engine at normal operating temperature, check the coolant level in the reserve tank (1). It should be between the UPPER (2) and LOWER (3) level marks.

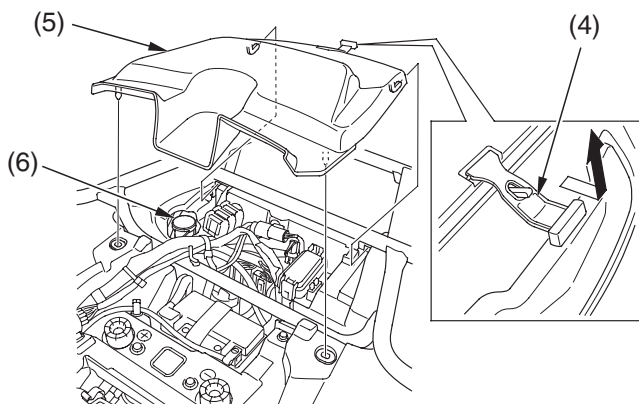
If the reserve tank is empty, or if coolant loss is excessive, check for leaks and see your Honda dealer for repair.

(cont'd)

Coolant

3. Remove the seat (page 100).
4. Unhook the rubber strap (4).
5. Remove the rear fender cover (5) and reserve tank cap (6).
Always add coolant to the reserve tank. Do not attempt to add coolant by removing the radiator cap.
6. Add coolant to the reserve tank as required to bring the coolant level to the UPPER level mark.

REAR



(4) rubber strap
(5) rear fender cover

(6) reserve tank cap

7. After adding coolant, install the reserve tank cap and rear fender cover.
8. Fasten the rubber strap.
9. Install the seat.

Coolant Replacement

Refer to *Safety Precautions* on page 89.

Coolant should be replaced by your Honda dealer, unless you have the proper tools and service data and are mechanically qualified. Refer to the official Honda Shop Manual.

WARNING

Removing the radiator cap while the engine is hot can cause the coolant to spray out, seriously scalding you.

Always let the engine and radiator cool down before removing the radiator cap.

To properly dispose of drained coolant, refer to *You & the Environment*, page 178.

NOTICE

Improper disposal of drained fluids is harmful to the environment.

Coolant

Radiator Core

Refer to *Safety Precautions* on page 89.

Check the air passages for clogging or damage. Remove insects, mud, or any obstruction with low water pressure. Have the radiator checked by your Honda dealer if the air flow is restricted over more than 20% of the radiator surface.

Clean the radiator core after riding the ATV in mud.

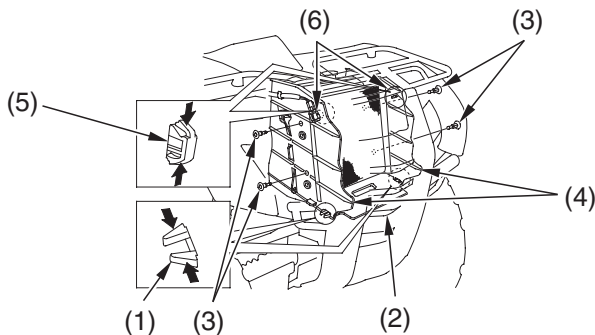
To clean the radiator core and radiator grill plate:

1. Unhook the tabs A (1) and remove the radiator grill under cover (2).
2. Remove the clips (3) (page 101) and radiator grill covers (4).
3. Unhook the tabs B (5) and remove the couplers (6).

NOTICE

Do not apply pressured water directly to the radiator core. The pressured water can damage the radiator core.

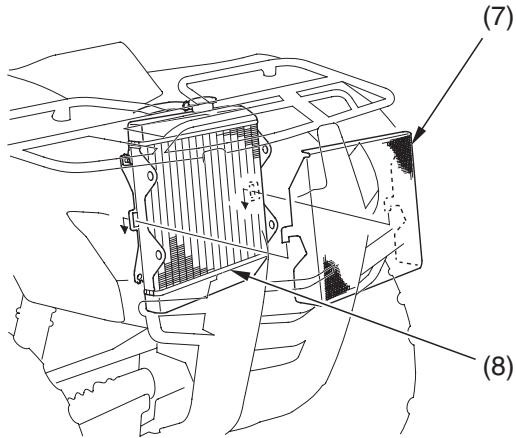
FRONT



- | | |
|--------------------------------|---------------------------|
| (1) tabs A | (4) radiator grill covers |
| (2) radiator grill under cover | (5) tabs B |
| (3) clips | (6) couplers |

4. Remove the radiator grill plate (7).
5. Wash the radiator core (8) and radiator grill plate.
6. Install the removed parts in reverse order of removal.

FRONT



(7) radiator grill plate

(8) radiator core

Air Cleaner

Refer to *Safety Precautions* on page 89.

Proper air cleaner maintenance is very important for off-road vehicles. A dirty, water-soaked, worn-out, or defective air cleaner will allow dirt, dust, mud, and other impurities to pass into the engine.

Service the air cleaner more frequently if you ride in unusually wet or dusty areas. Your Honda dealer can help you determine the correct service interval for your riding conditions.

Your ATV's air cleaner has very specific performance requirements. Use a new genuine Honda air cleaner specified for your model or an air cleaner of equal quality.

NOTICE

Using the wrong air cleaner may result in premature engine damage.

Proper air cleaner maintenance can prevent premature engine wear or damage, expensive repairs, low engine power, poor gas mileage, and spark plug fouling.

NOTICE

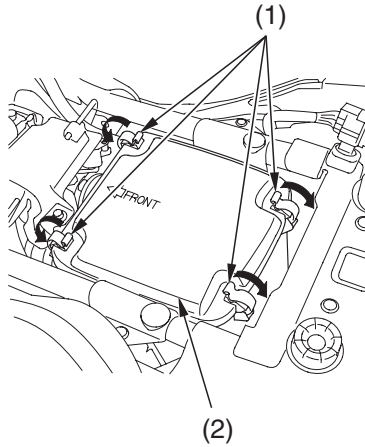
Improper or lack of proper air cleaner maintenance can cause poor performance and premature engine wear.

Air Cleaner

Cleaning

1. Remove the seat (page 100).

UNDER SEAT



(1) retainer clips

(2) air cleaner housing cover

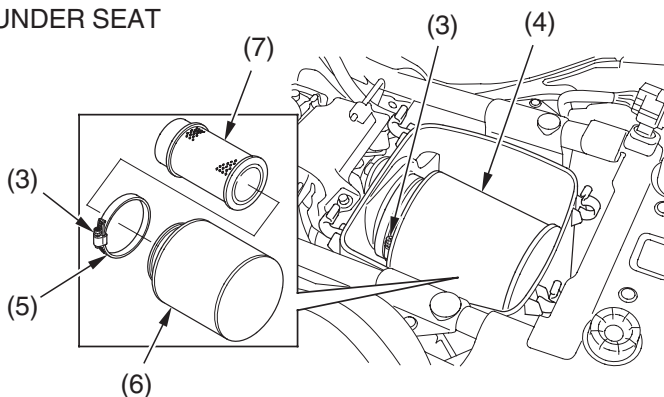
2. Unlatch the retainer clips (1).
3. Remove the air cleaner housing cover (2).

(cont'd)

Air Cleaner

4. Loosen the screw (3) and remove the air cleaner assembly (4) from the air cleaner housing.
5. Unscrew the clamp (5).
6. Remove the air cleaner (6) from the air cleaner body (7).
7. Gently wash the air cleaner in clean, non-flammable (high flash point) solvent such as kerosene — not petrol. After cleaning, gently squeeze out the remaining solvent. Avoid twisting or wringing the air cleaner. This can tear the foam.
8. Inspect for tears or cracks in the foam or seams of the air cleaner. Replace the air cleaner if it is damaged.
9. Allow the air cleaner to dry thoroughly before applying oil. A wet air cleaner will not fully absorb the oil.
10. Pour clean air filter oil over the entire surface of the air cleaner. Use both hands to evenly spread the oil into the air cleaner. Gently squeeze out any excess oil. (To keep your hands dry, place the air cleaner in a clean plastic bag before spreading the oil into the air cleaner.)

UNDER SEAT



(3) screw

(4) air cleaner assembly

(5) clamp

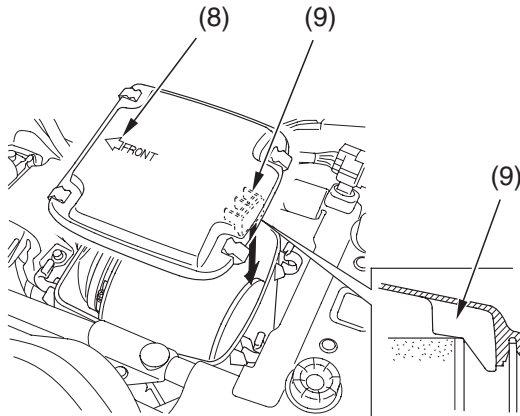
(6) air cleaner

(7) air cleaner body

Air Cleaner

11. Install the air cleaner on the air cleaner body.
12. Apply a thin coat of grease to the sealing surface of the air cleaner assembly.
13. Install the clamp.
14. Insert the air cleaner assembly into the air cleaner housing.
15. Fasten the screw.
16. Reassemble by reversing the disassembly sequence.
 - Install the air cleaner housing cover with the FRONT mark (8) facing forward and fit the cut out of the tab (9) at the end of the air cleaner.

UNDER SEAT



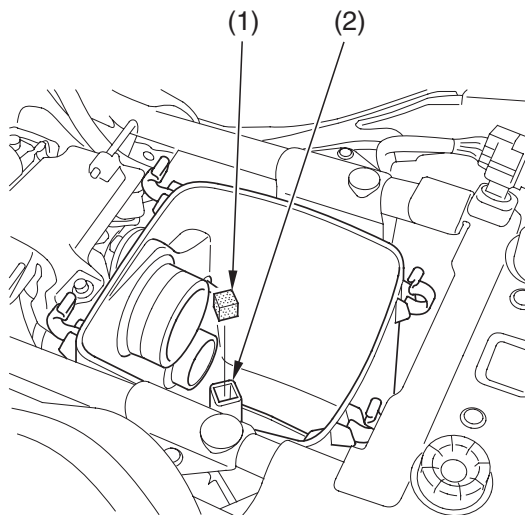
(8) FRONT mark

(9) tab

Air Cleaner

Dust Cover

UNDER SEAT



(1) dust cover

(2) breather joint

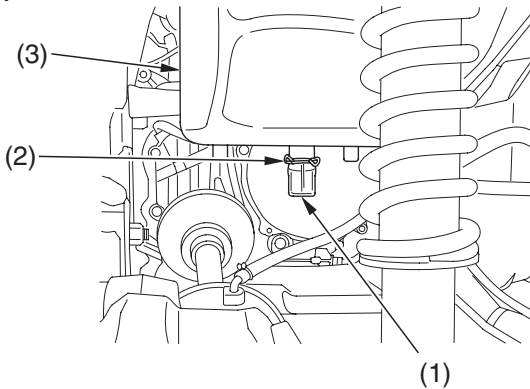
Do not push the dust cover (1) too far into the breather joint (2).
If the dust cover is dirty, clean it.

Air Cleaner

Air Cleaner Housing Drain Tube

The air cleaner housing drain tube should be serviced in accordance with the Maintenance Schedule. (Riding through water may require more frequent inspection.) If deposits can be seen in the drain tube, the tube must be cleaned before starting the vehicle.

REAR



(1) drain tube
(2) clip

(3) air cleaner housing

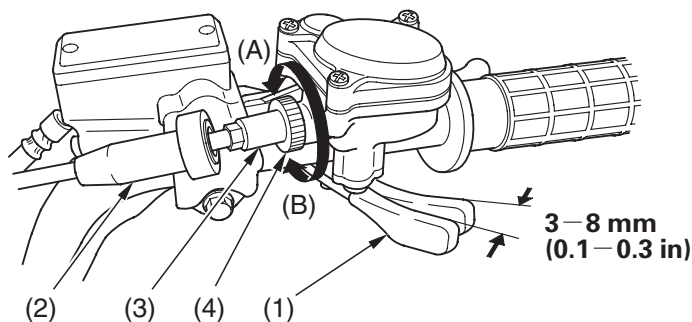
1. Remove the drain tube (1) by removing the clip (2) under the air cleaner housing (3).
2. Drain the deposits.
3. Reinstall the drain tube, securing it with the clip.

Throttle

Throttle Freeplay

Refer to *Safety Precautions* on page 89.

RIGHT HANDLEBAR



- | | |
|-----------------------------|-----------------------|
| (1) throttle lever | (4) lock nut |
| (2) rubber sleeve | (A) decrease freeplay |
| (3) throttle cable adjuster | (B) increase freeplay |

Inspection

Check freeplay at the throttle lever (1).

Freeplay:

3–8 mm (0.1–0.3 in)

Adjustment

1. Slide the rubber sleeve (2) back to expose the throttle cable adjuster (3).
2. Loosen the lock nut (4).
3. Turn the adjuster to obtain the correct freeplay.
4. Tighten the lock nut and reinstall the sleeve.
5. After adjustment, check for smooth operation of the throttle lever from fully closed to fully open in all steering positions.

Throttle Inspection

Refer to *Safety Precautions* on page 89 .

1. Check that the throttle assembly is positioned properly and the securing bolts are tight.
2. Check for smooth operation of the throttle lever from fully open to fully closed in all steering positions. If there is a problem, see your Honda dealer.
3. Inspect the condition of the throttle cables from the throttle lever down to the throttle body. If the cable is kinked or chafed, have it replaced.
4. Check the cables for tension or stress in all steering positions.
5. Lubricate the cables with a commercially-available cable lubricant to prevent premature wear and corrosion.

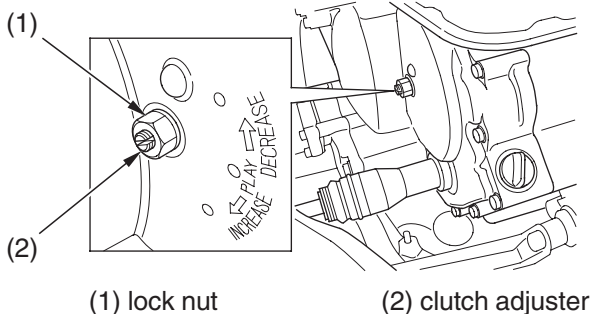
Clutch System

Your ATV's shift-activated, wet, multiplate clutch is part of the primary drive system. Proper adjustment allows a smooth, gradual engagement when shifting gears.

Clutch Adjustment

Refer to *Safety Precautions* on page 89.

FRONT



1. Make sure the engine is cool.
2. Make sure the ignition switch is OFF (\circ).
3. Remove the seat (page 100) and left side cover (page 108).
4. Loosen the lock nut (1).
5. Turn the clutch adjuster (2) counterclockwise until you feel slight resistance.
6. Turn the adjuster 1/4 turn clockwise, then tighten the lock nut to hold the adjuster in this position.
7. After adjustment, start the engine and test ride your ATV to be sure the clutch is operating properly.
8. Install the removed parts in reverse order of removal.

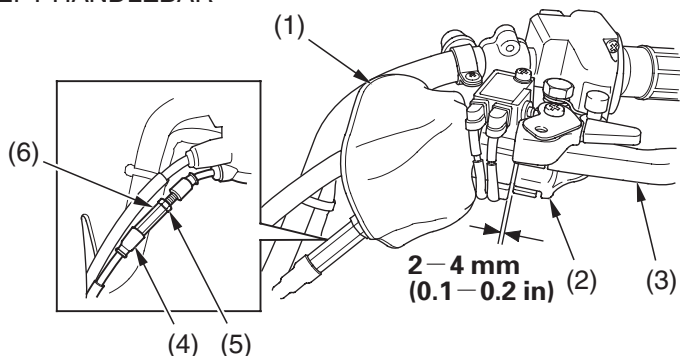
If you cannot get proper adjustment, or the clutch does not work properly, the clutch friction discs may be worn. See your Honda dealer or refer to official Honda Shop Manual.

Reverse Lock System

Reverse Lock System Adjustment

Refer to *Safety Precautions* on page 89 .

LEFT HANDLEBAR



- | | |
|--------------------------|-------------------|
| (1) dust cover | (4) rubber sleeve |
| (2) reverse assist lever | (5) lock nut |
| (3) rear brake lever | (6) adjusting nut |

1. Turn over the dust cover (1).
2. Check the reverse assist lever (2) freeplay, measured at the rear brake lever (3) end near the cable:
2-4 mm (0.1-0.2 in)
3. To adjust, slide the rubber sleeve (4), loosen the lock nut (5) and turn the adjusting nut (6).
After adjustment, tighten the lock nut securely.
4. Return the dust cover and rubber sleeve.

Other Checks

Check the reverse assist lever and cable for loose connections or other damage. If the cable is worn or kinked, have it replaced by your Honda dealer.

Spark Plug

Spark Plug Recommendation

standard spark plug

BKR5E-11 (NGK) or
K16PR-U11 (DENSO)

Use only the recommended type of spark plug in the recommended heat range.

NOTICE

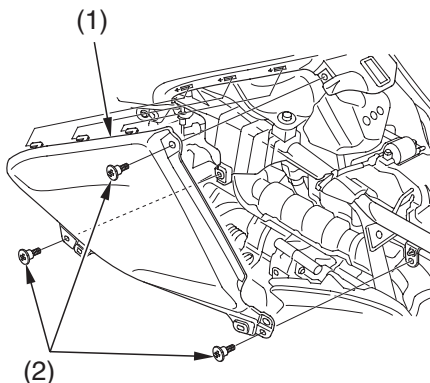
Using spark plugs with an improper heat range can cause engine damage.

Spark Plug Replacement & Inspection

Refer to *Safety Precautions* on page 89 .

1. Remove the seat (page 100) and left side cover (page 108).
2. Remove the left tank side cover (1) by removing the bolts (2).

LEFT SIDE



(1) left tank side cover

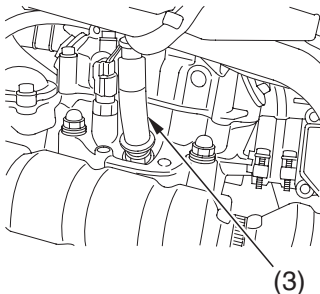
(2) bolts

Spark Plug

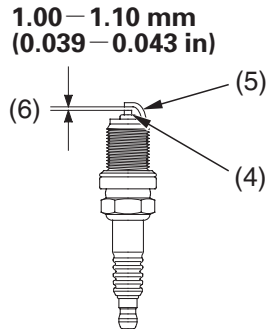
3. Clean any dirt from around the spark plug base.
 4. Disconnect the spark plug cap (3). Take care to avoid damaging the spark plug wire when disconnecting the cap.
 5. Using a spark plug wrench provided in the tool kit, remove the spark plug.
 6. Inspect the electrodes and centre porcelain for deposits, corrosion, or carbon fouling. If the corrosion or deposits are heavy, replace the plug. Clean a carbon or wet-fouled plug with a plug cleaner, if available, or a wire brush. Inspect the spark plug electrodes for wear. The centre electrode (4) should have a flat tip and sharp edges, and the side electrode (5) should not be eroded. If the electrodes and insulator tip appear unusually fouled or burned, we suggest that you contact your Honda dealer.
 7. Discard the spark plug if there is apparent wear or if the insulator is cracked or chipped.
 8. Using a wire-type feeler gauge, check the spark plug gap (6). If adjustment is necessary, bend the side electrode carefully.
- The gap should be:

1.00–1.10 mm (0.039–0.043 in)

LEFT SIDE



- (3) spark plug cap
(4) centre electrode



- (5) side electrode
(6) spark plug gap

(cont'd)

Spark Plug

9. With the plug washer attached, thread the spark plug in by hand to prevent cross-threading.
10. Tighten the spark plug:
 - If the old plug is good:
 - 1/8 turn after it seats.
 - If installing a new plug, tighten it twice to prevent loosening:
 - a) First, tighten the plug:
 - NGK: 3/4 turn after it seats.
 - DENSO: 1/2 turn after it seats.
 - b) Then loosen the plug.
 - c) Next, tighten the plug again:
 - 1/8 turn after it seats.

NOTICE

An improperly tightened spark plug can damage the engine. If a plug is too loose, a piston may be damaged. If a plug is too tight, the threads may be damaged.

11. Connect the spark plug cap. Take care to avoid pinching any cables or wires.
12. Install the remaining parts in the reverse order of removal.

Valve Inspection

Refer to *Safety Precautions* on page 89 .

Valve clearance should be:

intake: 0.15 mm (0.006 in)

exhaust: 0.23 mm (0.009 in)

Excessive clearance will cause noise. Insufficient clearance will cause loss of power and possibly damage the valves.

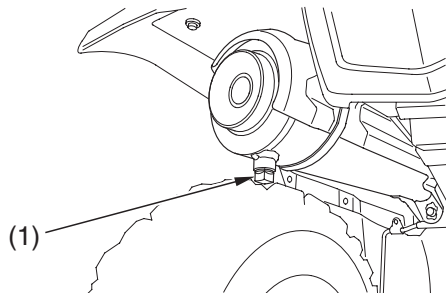
For those who are mechanically proficient and have the proper tools, instructions on adjusting valve clearances are given in the official Honda Shop Manual. All others should have valves adjusted by your Honda dealer.

Spark Arrester

Refer to *Safety Precautions* on page 89.

The exhaust system must be periodically purged of accumulated carbon. To purge the system:

REAR



(1) bolt

1. Select a well-ventilated area free of combustible materials and make sure the exhaust pipe is cool.
2. Remove the bolt (1).
3. Start the engine and rev it up approximately twenty times while momentarily creating exhaust system back pressure by blocking the end of the muffler with a shop towel.
4. Stop the engine and allow the exhaust pipe to cool.
5. Reinstall the bolt securely.

Brakes

The hydraulic disc brakes (front) and single mechanical drum brake (rear) on your ATV dissipate heat generated by the friction of the brake pads on the disc (front) and the brake shoes on the drums (rear) as the wheels are slowed.

Hydraulic Disc Front Brake

As the front brake pads wear, brake fluid level will drop. A leak in the system will also cause the level to drop.

There are no adjustments to perform, but fluid level and pad wear must be inspected periodically. The system must be inspected frequently to ensure there are no fluid leaks.

If the right brake lever freeplay does not feel within the normal range while riding, check the brake pads for wear (page 142).

Worn pads should be replaced. If the pads are not worn beyond the recommended limit, there is probably air in the brake system. See your Honda dealer to have the air bled from the system.

Mechanical Drum Rear Brake

If the rear brake lever/parking brake lever or brake pedal freeplay does not feel within the normal range while riding, check the brake shoes for wear (page 147).

Brake Fluid Recommendation

brake fluid	DOT 4 Brake Fluid
-------------	-------------------

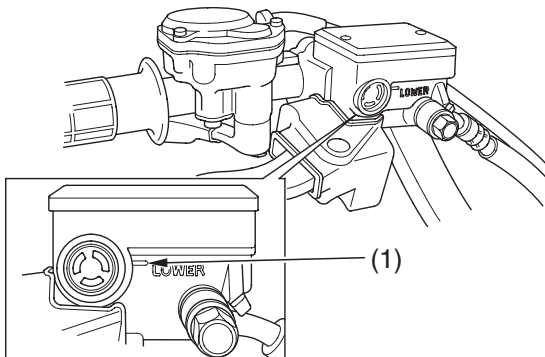
The recommended brake fluid is DOT 4 Brake Fluid, or any brake fluid of equal quality and performance. Use fresh brake fluid from a sealed container. Be sure to read the label before opening the sealed container. An opened container may be contaminated or may have absorbed moisture from the air.

Brakes

Fluid Level Inspection

Refer to *Safety Precautions* on page 89 .

RIGHT HANDLEBAR



(1) LOWER level mark

If your inspection indicates a low fluid level, have your Honda dealer add the recommended fluid.

Do not add or replace brake fluid, except in an emergency. If you do add fluid, have your Honda dealer check the system as soon as possible.

NOTICE

Brake fluid can damage plastic and painted surfaces. Handle with care.

With the ATV in an upright position, check the fluid level. It should be above the LOWER level mark (1). If the level is at or below the LOWER level mark, check the brake pads for wear (page 142).

Worn brake pads should be replaced. If the pads are not worn, have your brake system inspected for leaks.

Wipe up spills immediately. Avoid contact with skin or eyes. In case of contact, wash thoroughly and call a doctor immediately if it contacts your eyes.

Other Inspections

- Make sure there are no fluid leaks.
- Check for deterioration or cracks in the hoses and fittings. If the hoses are worn or cracked, have them replaced by your Honda dealer.

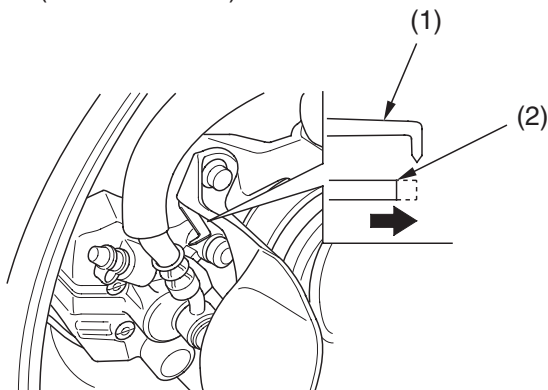
Brakes

Brake Pad Wear

Refer to *Safety Precautions* on page 89 .

Brake pad wear will depend upon the severity of usage and riding conditions. The pads will wear faster in wet or muddy conditions. Inspect the pads visually during all regular service intervals to determine the pad wear.

RIGHT FRONT (Left side similar)



(1) wear indicator

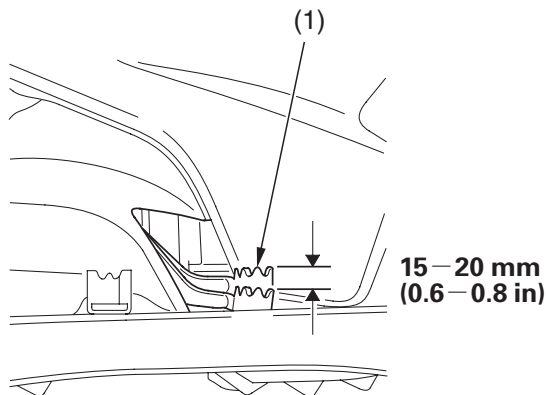
(2) edge of reference mark

Check the wear indicator (1). If the wear indicator aligns with the edge of the reference mark (2), both pads must be replaced, see your Honda dealer for this replacement.

Always inspect both pads in both the right and left front brake calipers.

Rear Brake Pedal Freeplay

RIGHT SIDE



(1) rear brake pedal

Inspection

Measure the distance the rear brake pedal (1) moves before the brake starts to take hold. Freeplay, measurement at the tip of the end of the pedal, should be:

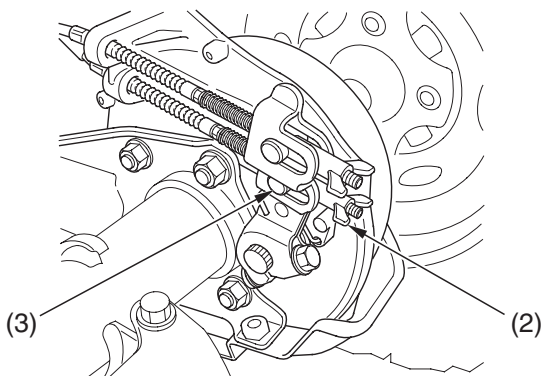
15-20 mm (0.6-0.8 in)

If necessary, adjust to the specified range.

Brakes

Adjustment

RIGHT REAR

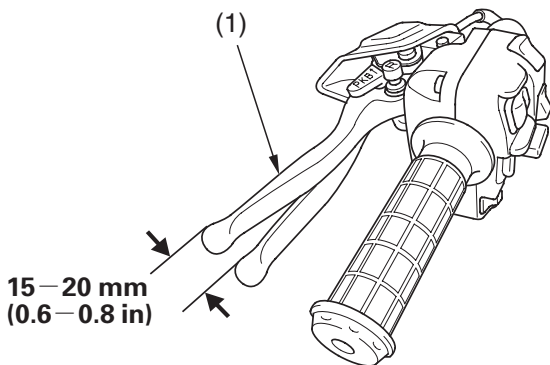


- (2) brake pedal adjusting nut
- (3) brake arm pin

Turn the brake pedal adjusting nut (2), located on the brake operating rod at the rear of the frame. Make sure the cutout on the adjusting nut is properly seated on the brake arm pin (3).

Rear Brake Lever Freeplay

LEFT HANDLEBAR



(1) rear brake lever/parking brake lever

Inspection

Measure the distance the rear brake lever/parking brake lever (1) moves before the brake starts to take hold. Freeplay, measurement at the tip of the end of the brake lever, should be:

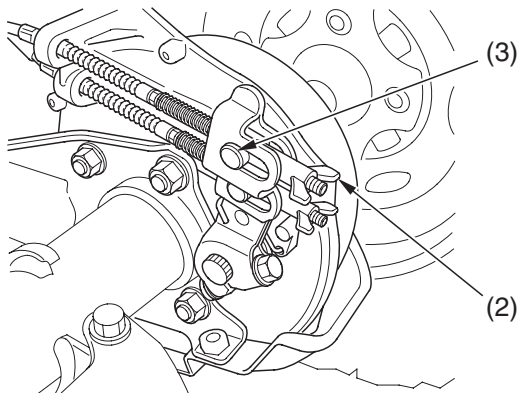
15-20 mm (0.6-0.8 in)

If necessary, adjust to the specified range.

Brakes

Adjustment

RIGHT REAR



(2) brake lever adjusting nut

(3) brake arm pin

Turn the brake lever adjusting nut (2), located on the brake operating rod at the rear of the frame. Make sure the cutout on the adjusting nut is properly seated on the brake arm pin (3).

Other Inspections

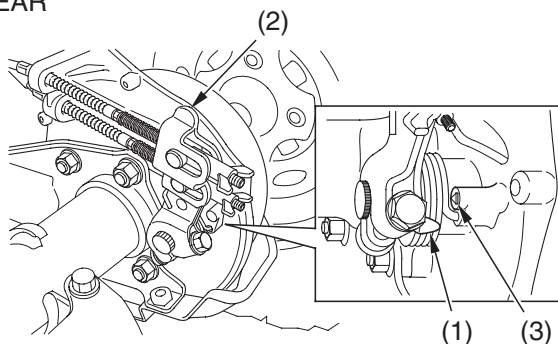
- Check that the brake lever and brake pedal assemblies are positioned properly and the securing bolts are tight.
- Make sure that the brake cables, brake arm, spring, and fasteners are in good condition.

Brake Shoe Wear

Refer to *Safety Precautions* on page 89 .

The rear brake is equipped with an external brake wear indicator that lets you check brake wear without disassembly. Application of the brake control causes the arrow on the brake arm to move toward a reference mark on the brake panel.

RIGHT REAR



(1) arrow

(2) brake arm

(3) reference mark

1. Apply the brake control and check the movement of the arrow (1) on the brake arm (2).
2. Replace the brake shoe if the arrow aligns with the reference mark (3) on the brake panel upon full application of the brake. If replacement is necessary, see your Honda dealer.

Brakes

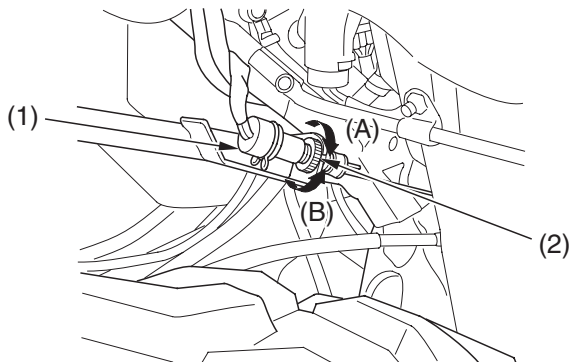
Brakelight Switch Adjustment

Refer to *Safety Precautions* on page 89 .

Rear Brake Only:

Check the operation of the rear brakelight switch (1) at the right side behind the engine from time to time. The brakelight should turn on at 15 mm (0.6 in) of pedal stroke. See *Rear Brake Pedal Freeplay*, page 143. Adjustment is done by turning the adjusting nut (2). Turn the nut in direction (A) if the switch operates too late and in direction (B) if the switch operates too soon.

RIGHT REAR

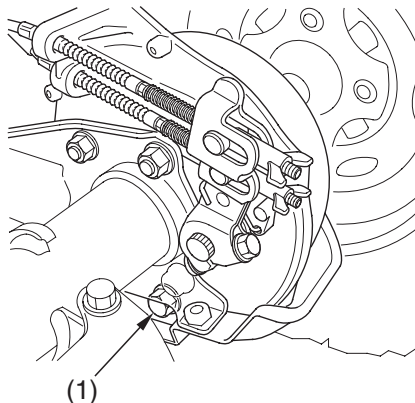


- (1) rear brakelight switch
- (2) adjusting nut

Draining Water from Brakes

Refer to *Safety Precautions* on page 89 .

RIGHT REAR



(1) rear brake drain bolt

1. Make sure the engine is off and the parking brake is set.
2. Remove the rear brake drain bolt (1) from the bottom of the rear brake panel.

If any water drains, the brake seals must be replaced by your Honda dealer as soon as possible.

Tyres

To safely operate your ATV, your tyres must be the proper type and size, in good condition with adequate tread, and correctly inflated.

WARNING

Using tyres that are excessively worn or improperly inflated can cause a crash in which you can be seriously hurt or killed.

Follow all instructions in this owner's manual regarding tyre inflation and maintenance.

This ATV is equipped with low pressure tubeless tyres. Although the tyres are designed specifically for off-road use, they are not immune to punctures. Always select your riding area with care.

The following pages give detailed information on how and when to check your air pressure, how to inspect your tyres for wear and damage, and our recommendations for tyre repair and replacement.

Air Pressure

Refer to *Safety Precautions* on page 89 .

Properly inflated tyres provide the best combination of handling, tread life, and riding comfort. Generally, underinflated tyres wear unevenly, adversely affect handling, and are more likely to fail from being overheated. Overinflated tyres make your ATV ride harshly, are more prone to damage from surface hazards, and wear unevenly.

Make sure the air valve caps are secure. If necessary, install a new cap.

Tyres

Always check air pressure when your tyres are “cold.” If you check air pressure when your tyres are “warm” — even if your ATV has only been ridden for a few miles — the readings will be higher. If you let air out of warm tyres to match the recommended cold tyre pressures, the tyres will be underinflated. Be sure to check tyre pressure at the riding site, since changes in altitude can affect air pressure.

The recommended “cold” tyre pressures are:

		FRONT	REAR
NO CARGO	RECOMMENDED PRESSURE	25 kPa (0.25 kgf/cm ² , 3.6 psi)	25 kPa (0.25 kgf/cm ² , 3.6 psi)
WITH CARGO	RECOMMENDED PRESSURE	25 kPa (0.25 kgf/cm ² , 3.6 psi)	25 kPa (0.25 kgf/cm ² , 3.6 psi)

A manually operated tyre pump should be used rather than the high pressure system found in service stations. This will minimize the possibility of tyre damage from overinflation. If you use a high pressure system at a service station, add air in small amounts and check the pressure increase frequently to prevent possible tyre damage from overinflation.

WARNING

Operating this ATV with improper tyres, or with uneven tyre pressure may cause loss of control, and you could be seriously injured or killed.

- Always use the size and type tyres specified in this owner's manual for this vehicle.
- Always maintain proper tyre pressure as described in this owner's manual.

Inspection

Refer to *Safety Precautions* on page 89.

Whenever you check the tyre pressures, you should also look for:

- Bumps or bulges in the side of the tyre or the tread. Replace any tyre that has a bump or bulge.
- Cuts, slits, or cracks in the tyres. Replace the tyre if you can see fabric or cord.
- Nails or other foreign objects embedded in the side of the tyre or tread.
- Excessive tread wear.

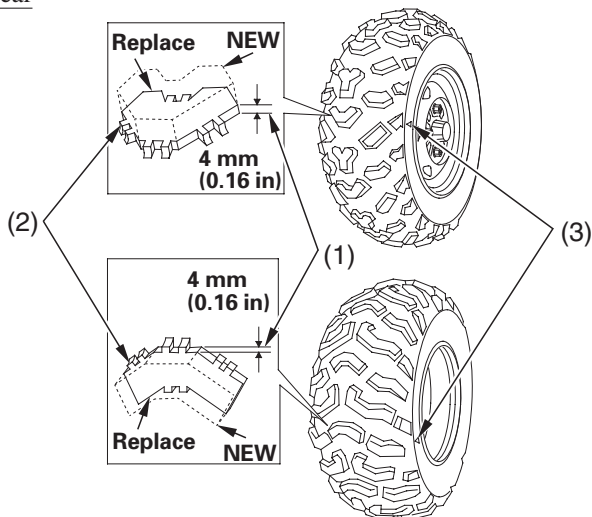
Tyres

Also, if you hit a pothole or other hard object while riding, stop as soon as you safely can and carefully inspect the tyres for damage.

Tread Wear

FRONT

REAR



(1) groove depth

(3) wear indicator location mark

(2) wear indicator

To check the condition of a tyre tread, measure the groove depth (1) in the centre of the tyre, or check the wear indicator (2).

For best performance, you should replace a tyre before the tread depth at the centre reaches the following limits:

front	4 mm (0.16 in)
rear	4 mm (0.16 in)

Tyre Repair

Refer to *Safety Precautions* on page 89 .

A tyre that is repaired, either temporarily or permanently, will have lower speed and performance limits than a new or undamaged tyre.

A temporary repair can sometimes be made in an emergency situation. However, since a temporary repair may not hold, you must ride very slowly, preferably without any cargo, and have the tyre replaced or permanently repaired as soon as possible. (For more information on temporary repairs, see *If You Have a Flat Tyre*, page 188 .)

A permanent repair, such as an internal plug patch, can be made if a tyre has only a small puncture in the tread area. However you may not be able to safely carry as much weight. If you choose to have a tyre repaired, be sure the repair work is performed by a professional.

If you have a tyre professionally repaired at a non-Honda facility, we recommend that you have the work checked by your Honda dealer.

Tyres

Tyre Replacement

Refer to *Safety Precautions* on page 89.

The tyres that came on your ATV were designed to match the performance capabilities of your ATV and provide the best combination of handling, braking, and comfort.

It is best to replace all four tyres, however if that is not possible, you must replace the tyres in pairs (front or rear) with tyres of the same size and type as the originals. Never replace just one tyre.

WARNING

Installing improper tyres on your ATV can affect handling and stability. This can cause a crash in which you can be seriously hurt or killed.

Always use the size and type of tyres recommended in this owner's manual.

The recommended tyres for your ATV are:

front	AT24 × 8-12 ★★	MAXXIS M977
rear	AT24 × 10-11 ★★	MAXXIS M978

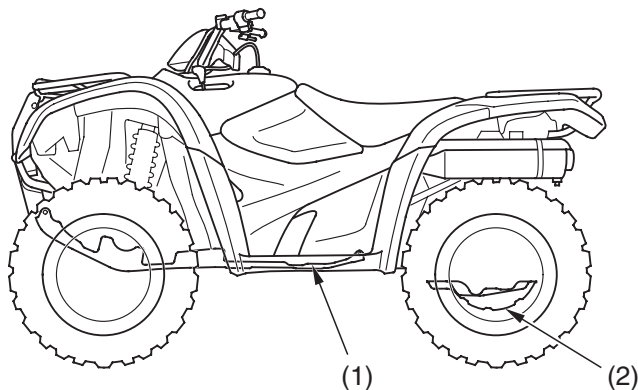
When you replace a tyre, remember:

Have the tyre replaced by your Honda dealer if possible.

If you have a tyre professionally replaced at a non-Honda facility, we recommended that you have the work checked by your Honda dealer.

Engine Guard & Skid Plate

Refer to *Safety Precautions* on page 89.



(1) engine guard

(2) skid plate

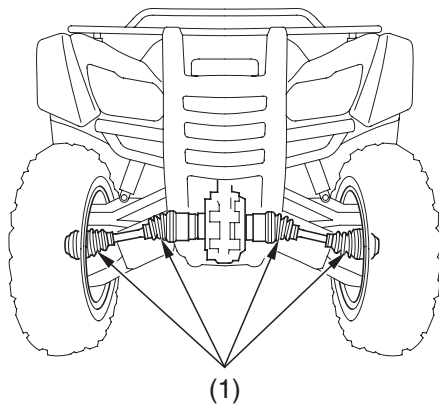
The engine guard (1) protects the frame and engine crankcase. The skid plate (2) protects the rear final gear case. Check the guard and plate for cracks, damage or looseness at intervals shown in the Maintenance Schedule.

Have the engine guard and skid plate replaced if they are cracked or damaged. If the guard and plate bolts are loose, tighten them securely.

Driveshaft Boots (TRX420FE only)

Refer to *Safety Precautions* on page 89.

FRONT

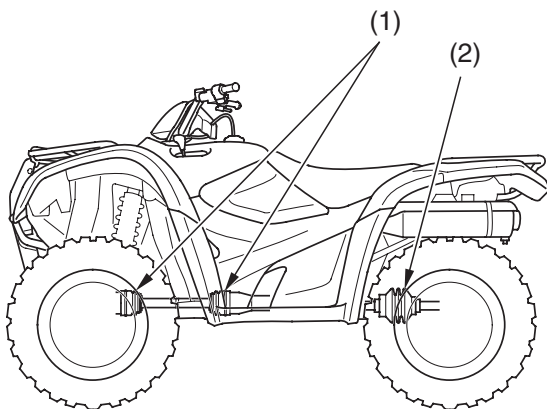


(1) rubber driveshaft boots

Check the rubber driveshaft boots (1) for damage or leaking grease. If necessary, have your Honda dealer replace them.

Propeller Shaft Boots & Yoke Joint Boot

Refer to *Safety Precautions* on page 89.



(1) rubber propeller shaft boots (TRX420FE only)

(2) rubber yoke joint boot

Check the rubber propeller shaft boots (1) and rubber yoke joint boot (2) for damage or leaking grease. If necessary, have your Honda dealer replace them.

Battery

Your ATV has a maintenance-free type battery. You do not have to check the battery electrolyte level or add distilled water as you would with a conventional-type battery.

NOTICE

Your battery is a maintenance-free type and can be permanently damaged if the cap strip is removed.

Electrical accessories use current from the battery — even when the ignition is OFF. Limited operation also allows the battery to discharge. If you have electrical accessories on your ATV — or do not ride frequently, we recommend that you charge the battery frequently (see *Battery Charging*, page 164).

If you do not expect to ride your ATV for at least two weeks, we recommend you remove the battery — or at least disconnect the battery cables (negative cable first).

If you plan to store your ATV, see *Battery Storage*, page 161 .

If your battery seems weak and/or is leaking electrolyte (causing slow starting or other electrical problems), see your Honda dealer.

Battery Storage

Refer to *Safety Precautions* on page 89.

If you plan to store your ATV, we recommend you remove the battery and store it where it can be charged at least every 30 days to maintain its service life.

If you do not remove the battery, we recommend disconnecting the battery cables (negative cable first).

You will get the best storage results from removing the battery and slow (trickle) charging it every 30 days (see *Battery Charging*, page 164).

Before you remove the battery, be sure to read all the information that follows, as well as the information on the battery label.

WARNING

The battery gives off explosive hydrogen gas during normal operation.

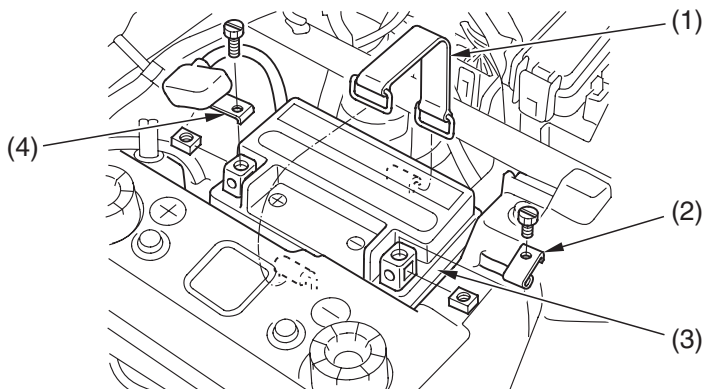
A spark or flame can cause the battery to explode with enough force to kill or seriously hurt you.

Wear protective clothing and a face shield, or have a skilled mechanic do the battery maintenance.

Battery

The battery is located in a compartment under the seat.

UNDER SEAT



- (1) rubber band (3) battery
(2) negative (-) terminal lead (4) positive (+) terminal lead

Removal

1. Make sure the ignition switch is OFF (○).
2. Remove the seat (page 100).
3. Remove the rear fender cover (page 120).
4. Release the rings and remove the rubber band (1).
5. Disconnect the negative (-) terminal lead (2) from the battery (3) first, then disconnect the positive (+) terminal lead (4).
6. Remove the battery.

Battery

7. Charge the battery (see following section), unless you have been riding regularly.
8. Store your battery in an easy-to-reach location off the floor, in an area protected from freezing temperature and direct sunlight.
9. Clean the compartment after removing the battery for storage. Dry the compartment and, if paint is missing, re-paint the area.
10. Slow charge the battery (see following section) once every 30 days.

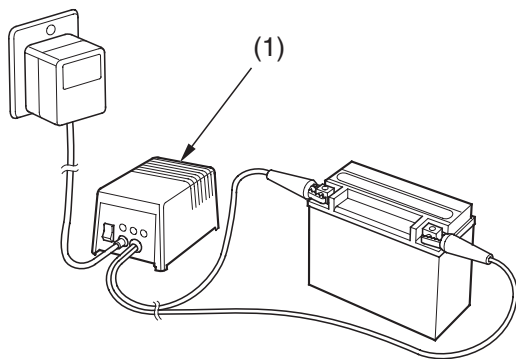
Installation

1. Reinstall in the reverse order of removal.
Be sure to connect the positive (+) terminal first, then the negative (-) terminal.
2. Check all bolts and other fasteners are secure.

Battery

Battery Charging

Refer to *Safety Precautions* on page 89.



(1) “trickle” charger

Be sure to read the information that came with your battery charger and follow the instructions on the battery. Improper charging may damage the battery.

We recommend using a “trickle” charger (1) for home charging. These units can be left connected for long periods without risking damage to the battery. However, do not intentionally leave the charger connected longer than the time period recommended in the charger’s instructions.

Avoid using an automotive-type battery charger. An automotive charger can overheat an ATV battery and cause premature damage.

Appearance Care

Frequent cleaning and polishing will keep your Honda looking newer longer.

Frequent cleaning also identifies you as an owner who values his ATV. A clean ATV is also easier to inspect and service.

General Recommendations

Refer to *Safety Precautions* on page 89 .

- To clean your ATV, you may use:
 - water
 - a mild, neutral detergent and water
 - a mild spray and wipe cleaner/polisher
 - a mild spray and rinse cleaner/degreaser and water
- Avoid products that contain harsh detergents or chemical solvents that could damage the metal, paint, and plastic on your ATV.
- If your ATV is still warm from recent operation, give the engine and exhaust system time to cool off.
- Park in a shady area. Washing your ATV in bright sunlight may cause the finish to fade because water droplets intensify the sun's brightness.
- Spotting is also more likely because surface water can dry before you have time to wipe it off.
- Clean your ATV regularly to protect surface finishes.
- We recommend the use of a garden hose to wash your ATV. High pressure washers (like those at coin-operated car washers) can damage certain parts of your ATV.

NOTICE

High pressure water (or air) can damage certain parts of your ATV.

- After cleaning, inspect for damage, wear, and leaks (fuel, oil, coolant and brake fluid).

Appearance Care

Washing Your ATV with a Mild Detergent

Refer to *Safety Precautions* on page 89.

1. Rinse your ATV thoroughly with cool water to remove loose dirt.
2. Fill a bucket with cool water. Mix in a mild, neutral detergent, such as dish washing liquid or a product made especially for washing motorcycles or automobiles.
3. Wash your ATV with a sponge or soft towel. As you wash, check for heavy grime. If necessary, use a mild cleaner/degreaser to remove the grime.
4. After washing, rinse your ATV thoroughly with plenty of clean water to remove any residue. Detergent residue can corrode alloy parts.
5. Dry your ATV with a chamois or a soft towel. Leaving water on the surface to air dry can cause dulling and water spots. As you dry, inspect for chips and scratches.
6. Start the engine and let it idle for several minutes. The engine heat will help dry moist areas.
7. As a precaution, ride your ATV at a slow speed and apply the brakes several times. This will help dry the brakes and restore normal braking performance.

If the inside of the headlight lens appears clouded immediately after washing, it should clear after a few minutes of riding.

Appearance Care

Spray Cleaning Your ATV

Refer to *Safety Precautions* on page 89.

Avoid using spray cleaner products on the tyres or suspension components.

Suggestions for using spray cleaner(s) follow:

ATV condition	Recommended Cleaning
Dust and fingerprint smudges.	Apply a spray cleaner/polish and wipe paint, chrome, glass, and clear plastic.
Light road grimes.	Spray any difficult-to-reach or very dirty areas with a spray cleaner/degreaser. Rinse and dry. Apply a spray cleaner/polish and wipe with a non-abrasive cloth.
Heavy grime. Oil leaks. Brake dust.	Use a spray cleaner/degreaser. If necessary, rub with a sponge. Rinse and dry. Apply a spray cleaner/polish and wipe with a non-abrasive cloth.
Dull, corroded chrome or aluminum.	Apply a high quality chrome/aluminum polish and wipe with a non-abrasive cloth.

Appearance Care

Finishing Touches

Refer to *Safety Precautions* on page 89.

After washing your ATV, consider using a commercially-available spray cleaner/polish or quality liquid or paste wax to finish the job. Use only a non-abrasive polish or wax made specifically for motorcycles or automobiles. Apply the polish or wax according to the instructions on the container.

Here's helpful advice on how to prepare for an off-road adventure, how to transport and store your Honda, and how to be an environmentally responsible ATV owner.

Preparing for a Ride	170
What to Take to the Riding Area	170
What to Take on the Trail	171
Transporting Your Honda	172
Storing Your Honda	174
Preparation for Storage	175
Removal from Storage	177
You & the Environment	178

Preparing for a Ride

A safe and enjoyable ride begins with good planning and preparation. Always ride with at least one other person in case you have trouble, and let someone know where you're going and when you expect to return.

Before riding in an unfamiliar area, find out in advance if you need special permits, get maps so you can study the terrain, and talk to other riders who know the area.

What to Take to the Riding Area

Along with your ATV and riding gear, you should take along some tools and supplies in case you have a problem. For some of the difficulties you might encounter, see *Taking Care of the Unexpected*, which begins on page 179.

We recommend that you always take water, food, a first aid kit, and your owner's manual. Other items you should consider loading on your truck or trailer include:

- a tool kit
- tyre repair supplies and tools, and tyres
- extra parts, control levers, cables, and spark plugs
- wire, duct tape, and rope
- extra petrol

For safety, all refueling should be done at a gas station on the way to the riding area or at your base camp.

Preparing for a Ride

What to Take on the Trail

What you take with you during a ride depends on the kind of terrain, how long you expect to ride, how far you might go from your base camp or help, and how experienced you or your companions are in making repairs.

If you decide to take some tools, spare parts, or other supplies on the trail, be sure you can carry them safely and know how to use them. Also, be sure to follow the loading guidelines and weight limit (page 48).

Transporting Your Honda

Do not tow your ATV behind a car or other vehicle.

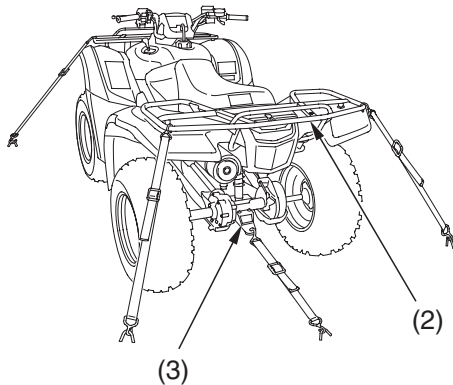
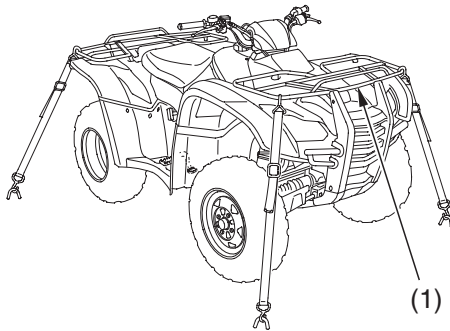
When you transport your ATV, we recommend that you carry the vehicle in its normal operating position (on all four wheels). Do not incline the vehicle upright on its rear end. This can damage the vehicle, and leaking petrol could be a hazard.

Follow these procedures:

1. Set the parking brake.
2. Turn the fuel valve OFF.

Transporting Your Honda

- Secure the vehicle with “tie-down straps” in the areas shown.
 - Suitable “tie-down straps” are available from your Honda dealer.
 - Ordinary rope is not recommended because it can stretch under load.
 - Using “tie-down straps” in any other areas can damage your ATV.
- Rock the vehicle back and forth to make sure the “tie-down straps” are tight and the vehicle is secure.



(1) front cargo rack
(2) rear cargo rack

(3) trailer hitch

Storing Your Honda

If you won't be riding for an extended period, such as during the winter, thoroughly inspect your ATV and correct any problem before storing it. That way, needed repairs won't be forgotten and it will be easier to get your ATV running again.

We suggest you perform the following procedures to keep your ATV in top condition. These storage procedures will reduce the deterioration that can occur during storage.

Storing Your Honda

Preparation for Storage

Refer to *Safety Precautions* on page 89 .

1. Change the engine oil and filter (page 110).
2. Make sure the cooling system is filled with a 50/50% antifreeze solution (page 118).
3. Fill the fuel tank. Make sure the fuel fill cap is properly installed.
4. Check that the fuel valve is OFF.
5. To prevent rusting in the cylinder, perform the following:
 - Remove the spark plug cap from the spark plug.
 - Remove the spark plug.
Do not connect the spark plug to the spark plug cap.
 - Pour a tablespoon (15 – 20 cm³) of clean engine oil into cylinder and cover the spark plug hole with a piece of cloth.
 - With the engine stop switch in the RUN (\odot) position, press the start button several times to crank the engine and distribute the oil.
 - Reinstall the spark plug and spark plug cap.

(cont'd)

Storing Your Honda

6. Remove the battery and charge it fully. Store it in an area protected from freezing temperatures and direct sunlight. Slow charge the battery (page 164) once a month.

WARNING

The battery gives off explosive hydrogen gas during normal operation.

A spark or flame can cause the battery to explode with enough force to kill or seriously hurt you.

Wear protective clothing and a face shield, or have a skilled mechanic do the battery maintenance.

7. Wash and dry your ATV. Wax all painted surfaces.
8. Inflate the tyres to their recommended pressures (page 152).
9. Store your ATV in an unheated area, free of dampness, away from sunlight, with a minimum of daily temperature variation.
10. Place your ATV on blocks to lift all tyres off the floor.
11. Cover your ATV with a porous material. Avoid using plastic or similar non-breathing, coated materials that restrict air flow and allow heat and moisture to accumulate.

Storing Your Honda

Removal from Storage

Refer to *Safety Precautions* on page 89 .

1. Uncover and clean your ATV.
2. If your ATV has been stored for more than four months — change the engine oil (page 110).
3. If your ATV has been stored for more than two months — ask your Honda dealer to drain and replace the fuel.
4. Charge the battery (page 164) as required. Install the battery.
5. Perform a pre-ride inspection (page 43), then test-ride your ATV at low speeds.

You & the Environment

Owning and riding an ATV can be enjoyable, but you must do your part to protect nature. When you show respect for the land, wildlife, and other people, you also help preserve the sport of off-road riding.

Following are tips on how you can be an environmentally-responsible ATV owner.

- **Tread Lightly.** Stay on existing roads and trails, avoid surfaces that are easily damaged, and ride only in areas approved for off-road vehicles.
- **Keep the Noise Down.** Loud vehicles can be offensive. Ride as quietly as possible, don't remove your spark arrester, and don't modify the muffler or any other part of your air intake and exhaust systems. Such modifications not only increase noise, they also reduce engine performance and may be illegal.
- **Choose Sensible Cleaners.** Use a biodegradable detergent when you wash your ATV. Avoid aerosol spray cleaners that contain chlorofluorocarbons (CFCs) which damage the atmosphere's protective ozone layer. Don't throw cleaning solvents away; see the following guidelines for proper disposal.
- **Recycle Wastes.** It's illegal and thoughtless to put used engine oil in the trash, down a drain, or on the ground. Used oil, petrol, and cleaning solvents contain poisons that can hurt refuse workers and contaminate our drinking water, lakes, rivers, and oceans. Before changing your oil, make sure you have the proper containers. Put oil and other toxic wastes in separate sealed containers and take them to a recycling centre. Call your local office of public works or environmental services to find a recycling centre in your area, and to get instructions on how to dispose of non-recyclable wastes.

Taking Care of the Unexpected

With all the challenges you can encounter off-road, there's a chance that sometime something may go wrong. This section gives practical advice to help you deal with a wide range of problems. Take time to read this section before you ride. Also review the tips in *Preparing for a Ride* (page 170).

General Guidelines.....	180
If Your Engine Quits or Won't Start.....	182
If the Shift Switches Do Not Function.....	185
Emergency Gear Selection & Operation	186
If You Have a Flat Tyre	188
If the High Coolant Temperature Indicator Lights.....	191
If a Fuse Blows	193
If You Crash.....	197
If You Lose Your Key	198
If the Battery Is Low (or Dead).....	199
If a Component Fails.....	200

Taking Care of the Unexpected

General Guidelines

Keeping your ATV well-maintained is the best way to reduce the possibility of having a problem while riding. However, problems can arise even with well-maintained machines.

Remember to take along your owner's manual, the tool kit that came with your ATV, and any other items (such as tyre repair supplies and additional tools) that might help you solve a problem on your own.

If something goes wrong during a ride, the first thing to do is stop as soon as you safely can. Do not continue riding if you have a flat tyre, or you hear an unusual noise, or your ATV just doesn't feel right. If you continue riding, you could cause more damage and endanger your own safety.

After a stop, take time to assess the situation. Carefully inspect your ATV to identify the problem, then consider your options before you decide what to do.

If a problem is relatively minor and you have the tools, supplies, and skills to make a permanent repair, you may be able to fix it on the trail and continue riding. Or, you may be able to make a temporary repair that allows you to slowly ride back to your base where you can make a permanent repair or get help.

When a problem is more serious—or you don't have the tools, supplies, experience, or time to deal with it—you need to choose the safest way to get yourself and your ATV back to base. For example, if you are close enough, you (or you and another person) might be able to push it back.

Taking Care of the Unexpected

Should you ever have a problem while riding, please follow these guidelines:

- Always put personal safety first.
- Take time to assess the situation and your options before deciding what to do.
- If the problem is relatively minor and you have the tools, supplies, and skills to make a temporary repair, be sure to have permanent repairs made as soon as possible.
- Do not continue riding if you are hurt or your ATV is not in safe riding condition.

Additional recommendations for specific problems follow.

If Your Engine Quits or Won't Start

Proper operation and maintenance can prevent starting and engine performance problems. In many cases, the cause of the problem may be a simple operational oversight.

If you have a problem starting the engine — or experience poor engine performance — the following information may help you. If you can't correct the problem, see your Honda dealer.

If your ATV won't start, listen as you press the start button. If you don't hear the starter motor turning, refer to the *Starter motor doesn't operate* symptom. If you can hear the starter motor working normally, refer to the *Starter motor works, but the engine won't start* symptom.

If Your Engine Quits or Won't Start

SYMPTOM: Starter motor doesn't operate.	
POSSIBLE CAUSE	WHAT TO DO
ignition switch OFF	Turn the ignition switch ON.
engine stop switch OFF	Slide the engine stop switch to RUN.
transmission not in neutral	Shift into neutral.
blown fuse	Replace with a new fuse of the same rating (page 193).
battery lead loose	Tighten the battery lead.
low (or dead) battery	Charge the battery (page 164). If charging doesn't help, see your Honda dealer.
faulty starter motor	If all possible causes are negative, the starter motor may be faulty. See your Honda dealer.

SYMPTOM: Starter motor works, but the engine won't start.	
POSSIBLE CAUSE	WHAT TO DO
out of fuel	Fill the fuel tank.
flooded engine	See <i>Flooded Engine</i> (page 62).
loose or unconnected spark plug cap	Install the spark plug cap securely. If the engine still won't start, see your Honda dealer.
loose battery cables	Tighten the battery terminal bolts.
weak battery	Charge the battery (page 164). If charging doesn't help, see your Honda dealer.

If Your Engine Quits or Won't Start

SYMPTOM: Engine starts, but runs poorly.	
POSSIBLE CAUSE	WHAT TO DO
high coolant temperature	Check the high coolant temperature indicator. Refer to <i>If the High Coolant Temperature Indicator Lights</i> , page 191.
runs erratically, misfires	See your Honda dealer.
blubbers (rich fuel mixture)	See your Honda dealer.
sooty exhaust (rich fuel mixture)	See your Honda dealer.
detonates or pings under load	If applicable, switch to the recommended octane petrol (page 102) or change your brand of petrol. If the problem persists, see your Honda dealer.
afterfires (backfires)	See your Honda dealer.
pre-ignition (runs on after ignition switched OFF)	See your Honda dealer.

If the Shift Switches Do Not Function

If one or both shift switches do not function, see the following instructions. If proper function cannot be restored, see your Honda dealer.

When the engine is running:

1. Stop the ATV.
2. Turn the ignition switch to the “OFF” (○) position.
3. After the engine stops, turn the ignition switch to the “ON” (|) position.
4. Press both shift switches and check that they are functioning.
5. If both switches are functioning, shift into neutral and restart the engine.

If one or both switches are not functioning, see *Emergency Gear Selection & Operation*, page 186 .

When the engine is stopped (ignition switch at “ON” (|)):

1. Turn the ignition switch to the “OFF” (○) position.
2. Turn the ignition switch to the “ON” (|) position.
3. Press both shift switches and check that they are functioning.
4. If both switches are functioning, shift into neutral and restart the engine.

If one or both switches are not functioning, see *Emergency Gear Selection & Operation*, page 186.

When the battery is low (or dead):

- See *If the Battery Is Low (or Dead)*, page 199.

Emergency Gear Selection & Operation

If the shift switches do not operate, use the following procedure to manually select a gear so you may drive the vehicle to a location where it can be loaded and transported to a Honda dealer.

1. Turn the ignition switch to the “ON” (I) position.
2. Remove the seat (page100).
3. Remove the gear change tool from underside of the seat (page 98).
4. Check the neutral indicator.

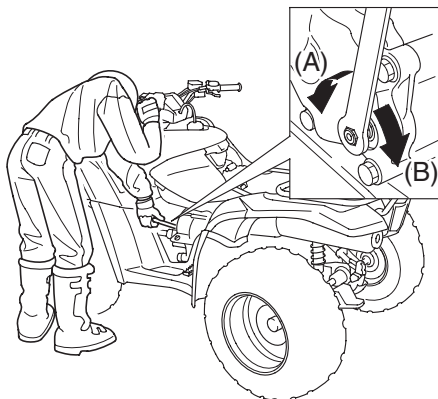
If the transmission is in neutral, go to step 5.

If the transmission is not in neutral, remove the left side cover (page 108), use the gear change tool to shift to neutral so you will be able to start the engine, Refer to *How to Shift Gears Manually* (page187).

5. Apply the parking brake.
6. Press the start button to start the engine.
7. Select the gear you want. For running on level ground: use 3rd or 4th gear. For mountainous roads: use 2nd or 3rd gear. Refer to *How to Shift Gears Manually* (page187).
8. Return the gear change tool to underside of the seat.
9. Install the left side cover.
10. Install the seat.
11. Get on the ATV. Drive it at a safe speed to a place where it can be repaired or serviced.

Emergency Gear Selection & Operation

How to Shift Gears Manually:



(A) downshift (counterclockwise) (B) upshift (clockwise)

- With the ATV unoccupied, align the hexagonal hole of the gear change tool with the hexagonal end of the secondary spindle which is located on the front crankcase.
- To downshift, turn the gear change tool counterclockwise (A).
To upshift, turn the tool clockwise (B).
- If the transmission does not shift, rock the vehicle back and forth and try again.
- Return the gear change tool to underside of the seat.

Do not attempt to shift gears manually using the gear change tool while driving.

If the transmission is shifted manually when the electric shift system is functioning, the system will shutdown automatically and the shift switches will not operate. To reactivate the system, turn the ignition switch to the “OFF” () position, then turn it back to the “ON” () position.

If You Have a Flat Tyre

How you handle a flat tyre on the trail depends on how serious the tyre damage is, and what tools and supplies you have with you.

If you have a slow leak or a minor puncture, use the plug method to make a temporary repair. (The plug method is applied from the outside of the tyre and is the same as that for conventional tubeless tyres.)

A plug-type repair kit, available at most auto parts stores or service stations, provides a plug, an installation tool, tyre cement, and an instruction sheet. Follow the instructions provided with the repair kit to make a temporary repair.

As soon as possible, have the tyre permanently repaired by your Honda dealer. Any tyre that cannot be repaired should be replaced.

Whenever the ATV is to be operated far from service facilities or available transportation, we recommend that you carry a tyre pump and a repair kit with the vehicle.

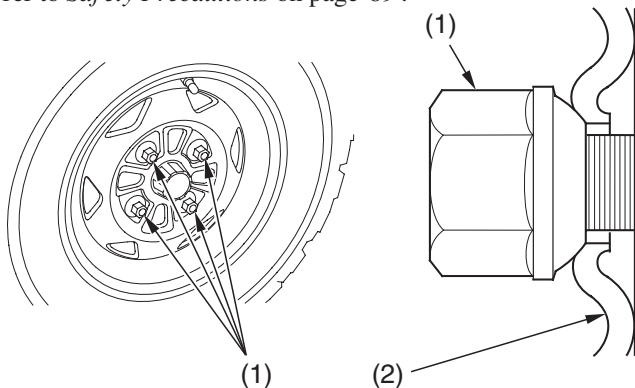
If the leak is more serious, or a temporary repair doesn't hold, the tyre must be replaced. The tyre will also need to be replaced if it is damaged (page 156). Replacing a tyre involves removing and re-installing the wheel (page 189).

If you are unable to repair a flat tyre on the trail, you will need to send for help. We strongly recommend that you do not try to ride with a flat tyre. The ATV will be hard to handle, and if the tyre comes off the rim, it may lock up the wheel and cause you to crash.

If You Have a Flat Tyre

Emergency Wheel Removal/Installation

Refer to *Safety Precautions* on page 89 .



(1) wheel nuts

(2) wheel rim

Removal

1. Park your ATV on a firm, level surface.
2. Raise the front (or rear) wheels off the ground and place a support block under the vehicle.
3. Remove the wheel nuts (1).
4. Remove the wheel.
 - Avoid getting grease, oil, or dirt on the front brake disc or pad surfaces when removing and installing each wheel. Any contamination can cause poor brake performance or rapid pad wear after reassembly.

If You Have a Flat Tyre

Installation

1. Position the wheel.
2. Position the wheel nuts so that the tapered sides face the wheel rim (2).
3. Tighten the wheel nuts in a crisscross (rather than a circular) pattern to the specified torque:
64 N·m (6.5 kgf·m , 47 lbf·ft)

If a torque wrench was not used for installation, see your Honda dealer as soon as possible to verify proper assembly. Improper assembly may lead to loss of braking capability.

If the High Coolant Temperature Indicator Lights

Normally, the high coolant temperature indicator will only light momentarily when you turn the ignition ON (I). Occasionally, it may flicker at or near idling speed.

High coolant temperature may be caused by restriction of air flow to the radiator (such as mud caked on the radiator), extended idling, an oil leak, a coolant leak, a low oil level, a low coolant level, or extended operation under adverse conditions.

If the indicator comes on while you're riding, don't ignore it. Pull safely to a stop. Stop the engine as soon as it's safe to do so, and let it cool.

NOTICE

Continuing to ride with high coolant temperature or an overheated engine can cause serious engine damage.

- A steaming engine indicates a coolant leak. Shut the engine off and wait until the steaming stops. Look for a leak, but don't touch the engine or radiator system. Let everything cool off first.
- Check for any restriction of air flow to the radiator.
- If there's no obvious problem, leave the engine on so the fan and coolant circulating system can continue working. Monitor the high coolant temperature indicator. The indicator may turn off after a brief stop with no load on the engine.
- Check the radiator fan.

If the fan is not working, turn the engine off. Open the fuse box (page 194) and check the radiator fan fuse. If the fuse is blown, replace it with the proper (same rating) spare fuse. Start the engine. If the high coolant temperature indicator comes on and stays on, turn the engine off.

If the radiator fan is working, visually check the coolant level in the reserve tank, located under the rear fender. It isn't necessary to touch the radiator system.

(cont'd)

If the High Coolant Temperature Indicator Lights

- If the reserve tank is low or empty, don't ride without adding coolant (page 119). After adding coolant, turn the engine on and check the high coolant temperature indicator.
If the indicator doesn't turn off, do not ride. The engine needs repair. Transport your ATV to a Honda dealer (page 172).
If the temperature drops to normal, check the coolant level. If it has gone down, add more coolant.
- Check for an oil leak.
- Check the oil level. If necessary, add the recommended oil (page 108) to the upper level mark. If you must leave your ATV to get oil, secure it as much as possible.
- Start the engine, and check that the high coolant temperature indicator goes off.

If you are able to resume riding, continue to monitor the high coolant temperature indicator frequently.

If there is an oil leak — do not ride the ATV until the leak is repaired by Honda dealer (page 172).

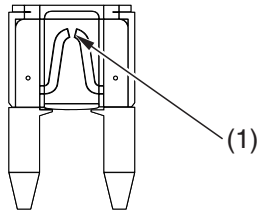
If there's a mild coolant leak, you can ride for awhile, carefully watching the indicator. Be prepared to stop and add more coolant or water. If the leak is bad, transport your ATV to a Honda dealer (page 172).

If a Fuse Blows

All of the electrical circuits on your ATV have fuses to protect them from damage caused by excess current flow (short circuit or overload).

If something electrical on your ATV stops working, the first thing you should check for is a blown fuse (1).

Check all the fuses before looking elsewhere for another possible cause of the problem. Replace any blown fuses and check component operation.



(1) blown fuse

The main fuse and the circuit fuses are located in the battery compartment.

Recommended Fuses

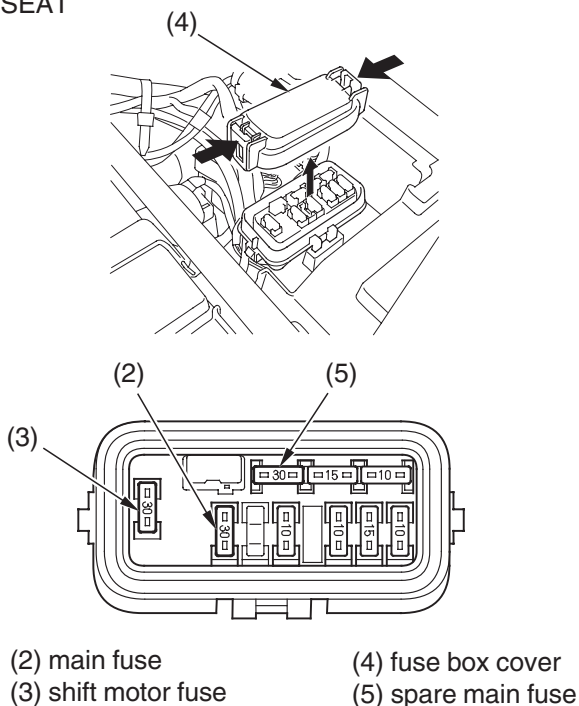
main fuse	30 A
shift motor fuse	30 A
other fuse	15 A 10 A × 3

If a Fuse Blows

Main Fuse Access

1. To prevent an accidental short circuit, turn the ignition switch OFF (○) before checking or replacing the fuses.
2. Remove the seat (page 100).
3. Remove the rear fender cover (page 120).
4. To access the main fuse (2) and shift motor fuse (3), remove the fuse box cover (4).

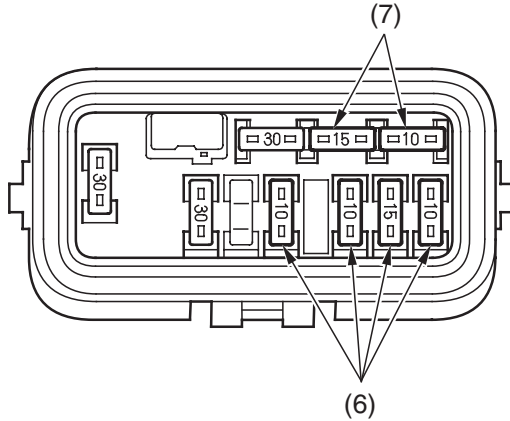
UNDER SEAT



5. Pull the main fuse out.
If it is blown, install the spare main fuse (5).

If a Fuse Blows

Circuit Fuse Access



(6) circuit fuses

(7) spare fuses

1. To check or replace a circuit fuse (6), pull the old fuse out of its retaining clips.
If the fuse is blown, replace it with a spare fuse (7) of the same rating.

If you do not have a replacement fuse with the proper rating for the circuit, install one with a lower rating.

NOTICE

Replacing a fuse with one that has a higher rating greatly increases the chance of damage to the electrical system.

2. Install the fuse box cover.
3. Install the rear fender cover.
4. Install the seat.

If a Fuse Blows

If you do not have a spare fuse and you cannot ride the ATV without fixing the problem, take a fuse of the same rating or a lower rating from one of the other circuits that you can do without temporarily.

If you replace a blown fuse with a spare fuse that has a lower rating, replace the fuse with the correct rating as soon as you can. Also remember to replace any spare fuses that were installed.

If the replacement fuse of the same rating burns out in a short time, there is probably a serious electrical problem on your ATV. Leave the blown fuse in that circuit and have your ATV checked by your Honda dealer.

If You Crash

Personal safety is your first priority after an accident. If you or anyone else has been injured, take time to assess the severity of the injuries and whether it is safe to continue riding. If you cannot ride safely, send someone for help. Do not ride if you will risk further injury.

If you decide you are capable of riding safely, carefully inspect your ATV for damage and determine if it is safe to ride. Check the tightness of critical nuts and bolts securing such parts as the handlebar, control levers, brakes, and wheels.

If there is minor damage, or you are unsure about possible damage but decide to try riding the ATV back to your base, ride slowly and cautiously.

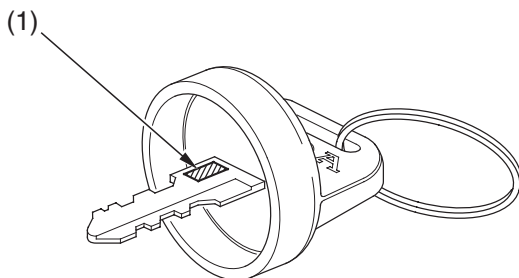
Sometimes, crash damage is hidden or not immediately apparent. When you get home, thoroughly check your ATV and correct any problems you find. Also, be sure to have your Honda dealer check the frame and suspension after any serious crash.

If You Lose Your Key

Be sure to record your key number (1) at following space. You'll need this number to have a duplicate key made.

If you lose your key and aren't carrying a duplicate, either get your spare or have one made. If you don't know your key number, call the dealer you purchased your Honda from. They may have it listed in their records. If they don't, transport your ATV to them or the nearest Honda dealer. The dealer will probably have to remove the ignition switch assembly to find the key number so they can make a key for you.

KEY NO. _____



(1) key number

If the Battery Is Low (or Dead)

Your ATV will operate even if the battery is low (or dead), as long as the engine is running. If the engine is not running, it may be started using the recoil starter.

1. Turn the ignition switch to the “ON” (I) position.
2. Remove the gear change tool from underside of the seat (page 98).
3. Check if the transmission is in neutral by moving the vehicle back and forth.
4. If the transmission is in neutral, the vehicle will move easily. Go to step 5.
If the transmission is not in neutral, the vehicle will not move. Use the gear change tool to shift to neutral so you will be able to start the engine. Refer to *How to Shift Gears Manually* (page 187).
5. Apply the parking brake.
6. Turn the ignition switch to the “OFF” (O) position, then turn it back to the “ON” (I) position.
7. Use the recoil starter (page 64) to start the engine.

Jump starting is not recommended, especially if you use an automobile battery. The greater amperage of an automobile battery when the car engine is running can damage your ATV’s electrical system.

Bump starting is also not recommended.

If you can’t charge the battery or it appears unable to hold a charge, contact your Honda dealer.

If a Component Fails

The brake levers or pedal, control cables, and other components can be damaged as you ride in dense brush or over rocky terrain. Making a trailside repair depends on how serious the damage is and what tools and supplies you have with you.

- If any component of the brake system is damaged, you may be able to ride carefully back to your base using the other brake components for slowing or stopping.
- If you damage a throttle cable or other critical component, your ATV may be unsafe to ride. Carefully assess the damage and make any repairs that you can. But if there is any doubt, it's best to be conservative and safe.

Technical Information

This section contains dimensions, capacities, and other technical data, plus information on government requirements and how to break-in your ATV.

Vehicle Identification.....	202
Specifications.....	204
Break-in Guidelines	208
Petrol Containing Alcohol.....	209

Vehicle Identification

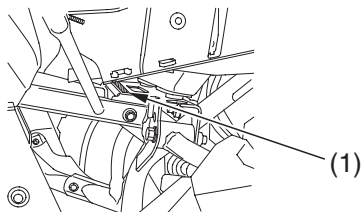
Serial Numbers

The VIN and engine serial numbers and key number may be required when ordering replacement parts. Record the numbers here for your reference.

The VIN (1) is stamped on the front of the frame.

VIN. _____

FRONT

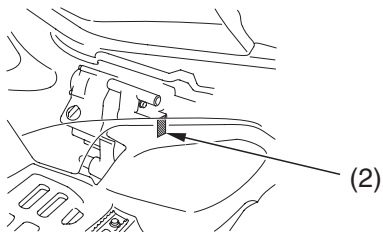


(1) VIN

The engine number (2) is stamped on the upper side of the rear crankcase.

ENGINE NO. _____

LEFT SIDE



(2) engine number

Vehicle Identification

Colour Label & Code

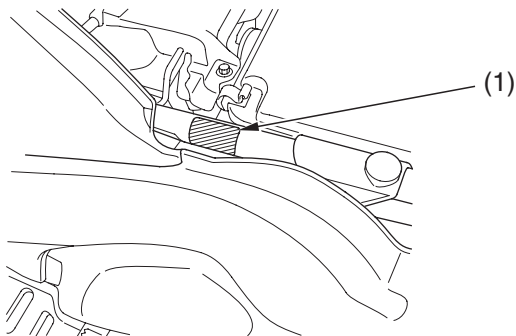
The colour label (1) is attached to the frame under the seat. Remove the seat (page 100) to check the label.

The colour code is helpful when ordering replacement parts. Record the colour and code here for your reference.

COLOUR _____

CODE _____

UNDER SEAT



(1) colour label

Specifications

Dimensions	
overall length	2,055 mm (80.9 in)
overall width	1,172 mm (46.1 in)
overall height	1,148 mm (45.2 in) ...TRX420TE 1,146 mm (45.1 in) ...TRX420FE
wheelbase	1,256 mm (49.4 in) ...TRX420TE 1,249 mm (49.2 in) ...TRX420FE
ground clearance	165 mm (6.5 in)

Fuel & Lubricants	
fuel recommendation	unleaded petrol, research octane number of 91 or higher
fuel tank capacity	13.7 ℓ (3.62 US gal , 3.01 Imp gal) including reserve
fuel tank reserve	2.8 ℓ (0.74 US gal , 0.62 Imp gal)
engine oil capacity	after disassembly: 3.1 ℓ (3.3 US qt , 2.7 Imp qt) after draining: 2.7 ℓ (2.9 US qt , 2.4 Imp qt)
engine oil recommendation	API Service Classification SE, SF or SG Honda 4-stroke oil or an equivalent
cooling system recommendation	High quality ethylene glycol antifreeze containing corrosion protection inhibitors specifically recommended for use in aluminum engines
cooling system capacity	1.5 ℓ (1.6 US qt , 1.3 Imp qt)

Specifications

Capacities	
passenger capacity	operator only
maximum weight capacity	220 kg (485 lbs) rider, all cargo and accessories

Engine Specifications	
displacement	420 cm ³ (25.6 cu-in)
bore & stroke	86.5 × 71.5 mm (3.41 × 2.81 in)
compression ratio	9.8 : 1
spark plug (standard)	BKR5E-11 (NGK) or K16PR-U11 (DENSO)
spark plug gap	1.00 – 1.10 mm (0.039 – 0.043 in)
valve clearance (cold)	intake: 0.15 mm (0.006 in) exhaust: 0.23 mm (0.009 in)
idle speed	1,400 ± 100 min ⁻¹ (rpm)

Specifications

Power Transmission		
primary reduction		2.103
secondary reduction		1.818
final reduction	front (TRX420FE only)	3.231
	rear	3.154
transmission ratio	1st	3.857
	2nd	2.235
	3rd	1.571
	4th	1.178
	5th	0.848
	reverse	4.831
final drive		shaft
Noise level (ISO 5131)	79.0 dB (A)	
Vibration on seat (EN 1032, ISO 5008)	Not exceed 0.5 m/s ²	
Vibration on handlegrip (EN 1033, EN 709)	6.2 m/s ²	

Chassis & Suspension	
caster	6.34° ...TRX420TE 3.0° ...TRX420FE
trail	25.1 mm (0.99 in) ...TRX420TE 9.5 mm (0.37 in) ...TRX420FE
tyre size, front	AT24 × 8-12 ★★ MAXXIS M977
tyre size, rear	AT24 × 10-11 ★★ MAXXIS M978
tyre pressure, front & rear (cold)	25 kPa (0.25 kgf/cm ² , 3.6 psi)

Specifications

Electrical	
battery	12 V – 12 Ah
generator	0.343 kW/5,000 min ⁻¹ (rpm)

Lights	
headlight	12 V 30/30 W × 2
brake/tail light	LED
neutral indicator	LED
reverse indicator	LED
high coolant temperature indicator	LED
PGM-FI indicator	LED
4WD indicator (TRX420FE only)	LED

Fuses	
main	30 A
shift motor	30 A
other	15 A 10 A × 3

Torque Specification	
engine oil drain bolt	25 N·m (2.5 kgf·m , 18 lbf·ft)
engine oil filter cover bolts	10 N·m (1.0 kgf·m , 7 lbf·ft)
rear final gear case oil drain bolt	12 N·m (1.2 kgf·m , 9 lbf·ft)
differential oil drain plug (TRX420FE only)	12 N·m (1.2 kgf·m , 9 lbf·ft)
wheel nuts	64 N·m (6.5 kgf·m , 47 lbf·ft)

Break-in Guidelines

Help assure your ATV's future reliability and performance by paying extra attention to how you ride during the first operating day or 25 km (15 miles).

During this period, avoid full-throttle starts, rapid acceleration, and constant RPM operation.

Petrol Containing Alcohol

If you decide to use a petrol containing alcohol (gasohol), be sure its octane rating is at least as high as that recommended above.

There are two types of gasohol: One contains ethanol, and the other contains methanol. Do not use gasohol that contains more than 10% ethanol. Do not use gasohol that contains methanol (methyl or wood alcohol) unless it also contains cosolvents and corrosion inhibitors for methanol. Never use petrol containing more than 5% methanol, even if it has cosolvents and corrosion inhibitors.

Engine performance problems resulting from the use of fuels that contain alcohol are not covered under the warranty. Honda cannot endorse the use of fuels containing methanol since evidence of their suitability is not yet complete.

Before buying fuel from an unfamiliar station, try to find out if the fuel contains alcohol. If it does, confirm the type and percentage of alcohol used. If you notice any undesirable operating symptoms while using a petrol that contains alcohol, or one that you think contains alcohol, switch to a petrol that you know does not contain alcohol.

Table of Contents

The following presents the contents of each section of your owner's manual.

ATV SAFETY	1
Important Safety Information	2
Safety Labels.....	5
INSTRUMENTS & CONTROLS.....	9
Operation Component Locations	11
Indicators & Displays.....	14
Multi-function Display.....	18
Gear Position Indicator.....	19
Oil Change Indicator	20
Odometer.....	21
Tripmeter.....	21
Hourmeter	22
Fuel Gauge	23

Table of Contents

Controls & Features	24
Fuel Valve	24
Ignition Switch	25
2WD/4WD Select Lever (TRX420FE only)	26
Start Button	27
Engine Stop Switch	27
Headlight Switch	28
Headlight Dimmer Switch	28
Horn Button	28
Recoil Starter	29
Throttle Lever	30
Gearshift Switch	31
Reverse Selector Knob	32
Front Brake Lever	33
Rear Brake Lever	33
Rear Brake Pedal	33
Parking Brake	34
Flag Pole Bracket	35
Trailer Hitch	36
BEFORE RIDING	37
Are You Ready to Ride?	38
Protective Apparel	38
Rider Training	40
Age Recommendation	41
No Passengers	41
No Alcohol or Drugs	42
Is Your ATV Ready to Ride?	43
Pre-ride Inspection	43
Load Limits & Guidelines	47
Loading	47
Load Limits	48
Loading Guidelines	49

(cont'd)

Table of Contents

BEFORE RIDING (cont'd)

Accessories & Modifications	50
Accessories.....	50
Modifications	51

BASIC OPERATION & RIDING 53

Safe Riding Precautions	55
Off-Road Use Only.....	55
Keep Hands and Feet on Controls.....	56
Control Speed.....	57
Use Care on Unfamiliar or Rough Terrain.....	58
Do Not Perform Stunts.....	59
Starting & Stopping the Engine	60
Preparation	60
Starting Procedure.....	61
Flooded Engine	62
Bank Angle Sensor Ignition Cut-off System	62
Stalled Engine	63
How to Stop the Engine	63
Using the Recoil Starter	64
Shifting Gears	65
Riding in Reverse.....	68
Braking.....	70
Riding Your ATV	72
Making Turns	72
Skidding or Sliding	74
Riding Up Hills	75
Riding Down Hills	79
Crossing or Turning on Hills or Slopes.....	80
Riding Over Obstacles	82
Riding Through Water	83
Parking	84

Table of Contents

SERVICING YOUR HONDA	85
<i>Before You Service Your Honda</i>	
The Importance of Maintenance	87
Maintenance Safety	88
Important Safety Precautions	89
Maintenance Schedule	90
Maintenance Record.....	94
 <i>Service Preparations</i>	
Maintenance Component Locations.....	95
Tool Kit	98
Owner's Manual Storage.....	99
Seat Removal	100
Clip Removal	101
 <i>Service Procedures</i>	
<u>Fluids & Filters</u>	
Fuel	102
Engine Oil & Filter.....	105
Gear Case Oil	114
Differential Oil (TRX420FE only).....	116
Coolant	118
Air Cleaner	124
 <u>Engine</u>	
Throttle.....	130
Clutch System	132
Reverse Lock System.....	133
Spark Plug	134
Valves.....	137
Spark Arrester	138

(cont'd)

Table of Contents

Chassis

Brakes.....	139
Tyres	150
Engine Guard & Skid Plate	157
Driveshaft Boots (TRX420FE only).....	158
Propeller Shaft Boots & Yoke Joint Boot	159

Electrical

Battery	160
---------------	-----

Appearance Care	165
-----------------------	-----

TIPS..... 169

Preparing for a Ride	170
What to Take to the Riding Area	170
What to Take on the Trail	171
Transporting Your Honda	172
Storing Your Honda	174
Preparation for Storage	175
Removal from Storage	177
You & the Environment	178

TAKING CARE OF THE UNEXPECTED..... 179

General Guidelines.....	180
If Your Engine Quits or Won't Start.....	182
If the Shift Switches Do Not Function.....	185
Emergency Gear Selection & Operation	186
If You Have a Flat Tyre	188
If the High Coolant Temperature Indicator Lights.....	191
If a Fuse Blows	193
If You Crash.....	197
If You Lose Your Key	198
If the Battery Is Low (or Dead).....	199
If a Component Fails.....	200

Table of Contents

TECHNICAL INFORMATION.....	201
Vehicle Identification.....	202
Specifications.....	204
Break-in Guidelines	208
Petrol Containing Alcohol.....	209
TABLE OF CONTENTS.....	210
INDEX.....	216

Index

A

accessories.....	50
age recommendation	41
air cleaner,	
dust cover	128
filter.....	125
housing drain tube.....	129
air pressure,	
gauge	99
tyre	152
apparel, protective	38
appearance care	165

B

battery.....	160
bank angle sensor ignition cut-off system.....	62
brakelight switch adjustment.....	148
brakes,	
cables.....	146
draining water from.....	149
fluid.....	139
front brake lever.....	33
pad wear	142
parking	34
rear brake lever.....	33
rear brake lever freeplay	145
rear brake pedal	33
rear brake pedal freeplay.....	143
shoe wear.....	147

Index

braking	70
break-in guidelines	208
button,	
horn	28
hourmeter/odometer/tripmeter select	14, 17, 20, 21, 22

C

capacity, fuel.....	103
care, appearance	165
cargo,	
loading and operational guidelines.....	49
weight limit	48
cleaning, appearance care.....	165
climbing hills.....	75
clip.....	101
clutch system.....	132
colour label.....	203
controls & features	24
compartment,	
owner's manual	99
tool kit	98
component fails.....	200
crash, if you.....	197
crossing or turning on hills or slopes.....	80

Index

D

differential oil (TRX420FE only)	116
dimmer switch, headlight	28
dipstick	109
display check.....	15
display, multi-function	18
driveshaft boots (TRX420FE only).....	158

E

engine,	
flooded	62
guard	157
number	202
oil	105
pinging	102
starting.....	60
stop switch.....	27
stopping.....	63
won't start	182
environment	178
exhaust system,	
cleaning	44
purging	138

Index

F

final gear case oil	114
flag pole bracket.....	35
flat tyre	188
flooded engine.....	62
fuel,	
fill cap	103
gauge	23
recommendation	102
refueling	103
reserve fuel supply	103
tank capacity	103
valve	24
fuses	193

Index

G

gap, spark plug	135
gasohol	209
gear case oil.....	114
gear shifting	65
gearshift switch	65

H

headlight dimmer switch	28
headlight switch	28
hills,	
crossing or turning on slopes.....	80
riding down hills	79
riding up hills	75
stopping on hills	77
horn button	28
hourmeter	22
hourmeter/odometer/tripmeter select button	14, 17, 20, 21, 22

Index

I

identification, vehicle.....	202
ignition switch.....	25
indicators,	
gear position indicator.....	18, 19
high coolant temperature indicator.....	14, 16, 191
neutral indicator.....	14, 16
oil change indicator.....	18, 20
PGM-FI indicator.....	14, 16
reverse indicator.....	14, 16
4WD indicator.....	14, 16, 26
inspection, pre-ride.....	43

K

key,	
lost.....	198
number.....	198
kit, tool.....	98

Index

L

labels, safety	5
lamp check	14
lever, 2WD/4WD select (TRX420FE only).....	26
limit, weight	48
load limits.....	48
loading guidelines	49
lubrication,	
differential oil (TRX420FE only)	116
engine oil.....	105
gear case oil.....	114

M

maintenance,	
component locations.....	95
importance.....	87
precautions	89
record	94
safety	88
schedule.....	90
maximum weight limit	48
modifications.....	51
multi-function display	18

Index

N

neutral indicator	14, 16
numbers, serial	202

O

obstacles, riding over	82
odometer.....	21
oil,	
differential (TRX420FE only)	116
engine.....	105
gear case.....	114
operation component locations.....	11
owner's manual storage.....	99

Index

P

parking	84
passenger, no carrying.....	41
pavement, no riding on.....	55
petrol	102
petrol containing alcohol.....	209
pinging, engine.....	102
plug, spark.....	134
pre-ride inspection.....	43
problems, unexpected.....	179
propeller shaft boots & yoke joint boot.....	159
protective apparel.....	38

R

rear final gear case oil	114
recoil starter.....	29
removal, seat	100
reverse,	
assist cable.....	133
assist lever	133
gear, shifting into	68
indicator	14, 16
riding in.....	68
selector knob	32
rider training.....	40

Index

riding,	
basic operations	53
clothing.....	38
precautions	55
preparing for	170
over obstacles	82
safety	2
safety precautions.....	55
through water	83

S

safety,	
important precautions.....	89
labels	5
riding precautions.....	55
schedule, maintenance.....	90
seat removal	100
serial numbers	202
shifting gears.....	65
skid plate	157
skidding or sliding.....	74
spark arrester	138
spark knock	102
spark plug.....	134
specifications.....	204
speedometer	18
stalling on a hill	77
start button.....	27

(cont'd)

Index

starting,	
engine	60
troubleshooting	182
stop switch, engine	27
stopping engine	63
storage,	
ATV	174
owner's manual	99
switch,	
downshift	31, 65
engine stop	27
headlight	28
headlight dimmer	28
ignition	25
upshift	31, 65

T

throttle,	
cable	131
lever.....	30, 130, 131
tyres,	
air pressure	152
flat	188
replacing.....	156
repairing	155
thread conditions	153, 154
tool kit	98
trailer hitch	36
trailer towing,	
operational guidelines	49
weight limits.....	48
training, rider.....	40
transporting your ATV	172
tripmeter	21
trouble, unexpected	179
troubleshooting, starting.....	182
turning,	
on level ground.....	72
on hills or slopes.....	80

Index

V

valve, fuel.....	24
valve clearance.....	137
vehicle identification no. (VIN).....	202

W

warning labels.....	5
washing your ATV.....	166
water,	
riding through.....	83
draining from brakes.....	149
weight limit.....	48
wheel removal.....	189