
PARKING BRAKES

PARKING BRAKES

CONTENTS

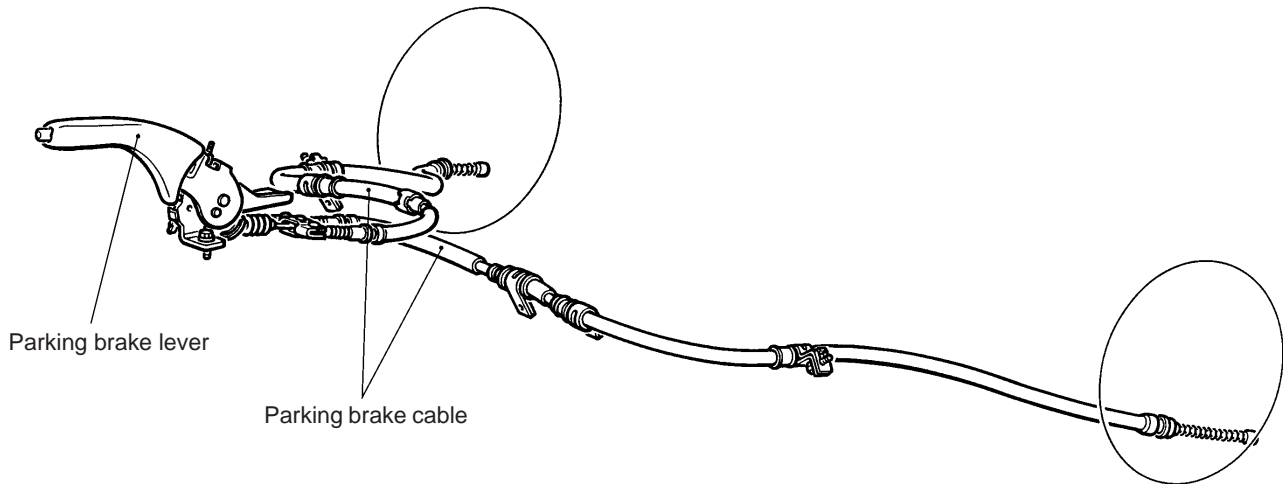
GENERAL INFORMATION	2	Parking Brake Switch Check	4
SERVICE SPECIFICATIONS	2	Lining Runing-In	4
LUBRICANTS	2	PARKING BRAKE LEVER	5
ON-VEHICLE SERVICE	3	PARKING BRAKE CABLE	6
Parking Brake Lever Stroke Check and Adjustment	3	PARKING BRAKE DRUM	8



GENERAL INFORMATION

The parking brake is of a mechanical control type acting on the rear wheels. A lever is used to apply the parking brake.

CONSTRUCTION DIAGRAM



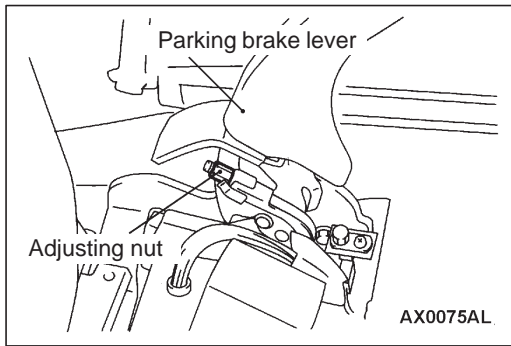
AW0051AL

SERVICE SPECIFICATIONS

Items	Standard value	Limit
Parking brake lever stroke	3 – 5 notches	–
Rear brake lining thickness mm	2.8	1.0
Rear drum inside diameter mm	168.0	169.0

LUBRICANTS

Items	Specified lubricants
Backing plate	Multipurpose grease
Shoe and lining assembly	
Adjuster	



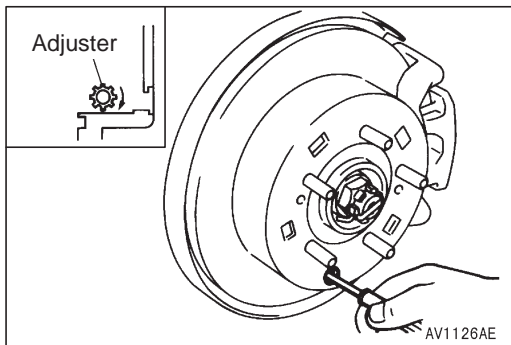
ON-VEHICLE SERVICE

PARKING BRAKE LEVER STROKE CHECK AND ADJUSTMENT

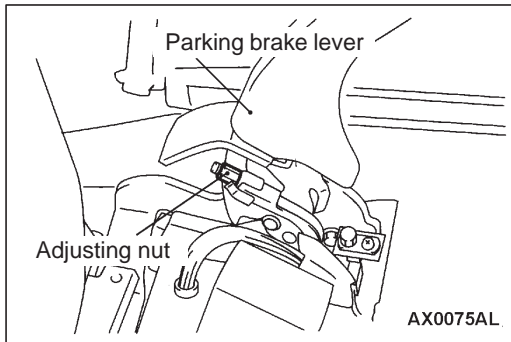
1. Pull the parking brake lever with a force of approx. 196 N and count the number of notches.

Standard value: 3 – 5 notches

2. If the parking brake lever stroke is not the standard value, adjust as described below.
 - (1) Remove the rear floor console, and then loosen the adjusting nut to move it to the cable rod end so that the cable will be free.
 - (2) Remove the rear wheels.



- (3) Remove the adjustment hole plug, and then use a flat-tip (–) screwdriver to turn the adjuster in the direction of the arrow (the direction which expands the shoe) so that the disc will not rotate. Return the adjuster five notches in the direction opposite to the direction of the arrow.

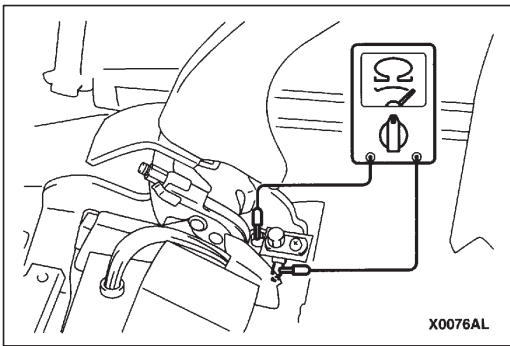


- (4) Turn the adjusting nut to adjust the parking brake lever stroke to the standard value. After adjusting, check that there is no space between the adjusting nut and the parking brake lever.

Caution

If the parking brake lever stroke is below the standard value and the braking is too firm, the rear brakes may drag.

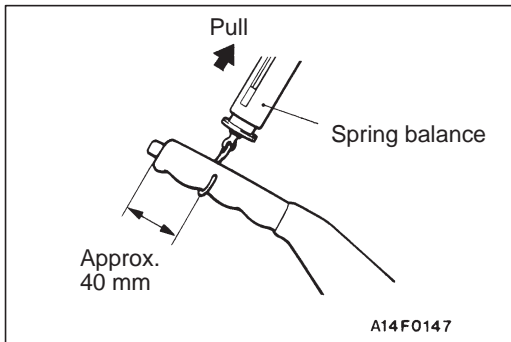
- (5) Release the parking brake and turn the rear wheels to check that the rear brakes are not dragging.



PARKING BRAKE SWITCH CHECK

Check for continuity between the parking brake switch terminal and the switch mounting bolt.

When parking brake lever is pulled	Continuity
When parking brake lever is released	No continuity



LINING RUNNING-IN

Carry out running-in by the following procedure when replacing the parking brake linings or the rear brake disc rotors, or when brake performance is insufficient.

Caution

Carry out running-in in a place with good visibility, and pay careful attention to safety.

1. Adjust the parking brake stroke to the specified value.
Standard value [Operation force: Approx. 196 N] : 3 – 5 notches
2. Hook a spring balance onto the centre of the parking brake lever grip and pull it with a force of 98 – 147 N in a direction perpendicular to the handle.
3. Drive the vehicle at a constant speed of 35 – 50 km/h for 100 metres.
4. Release the parking brake and let the brakes cool for 5 – 10 minutes.
5. Repeat the procedure in steps 2. to 4. 4 – 5 times.

PARKING BRAKE LEVER

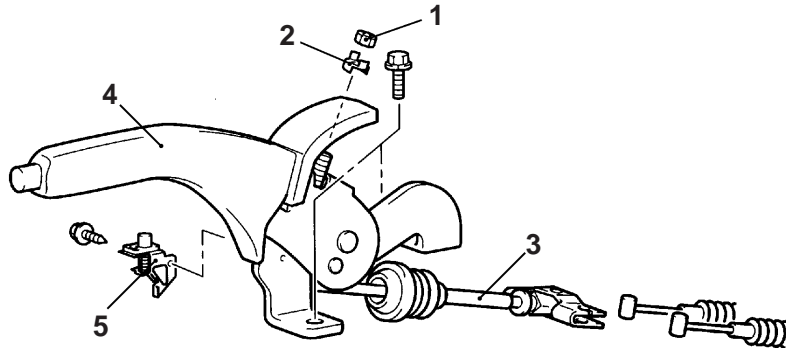
REMOVAL AND INSTALLATION

Pre-removal Operation

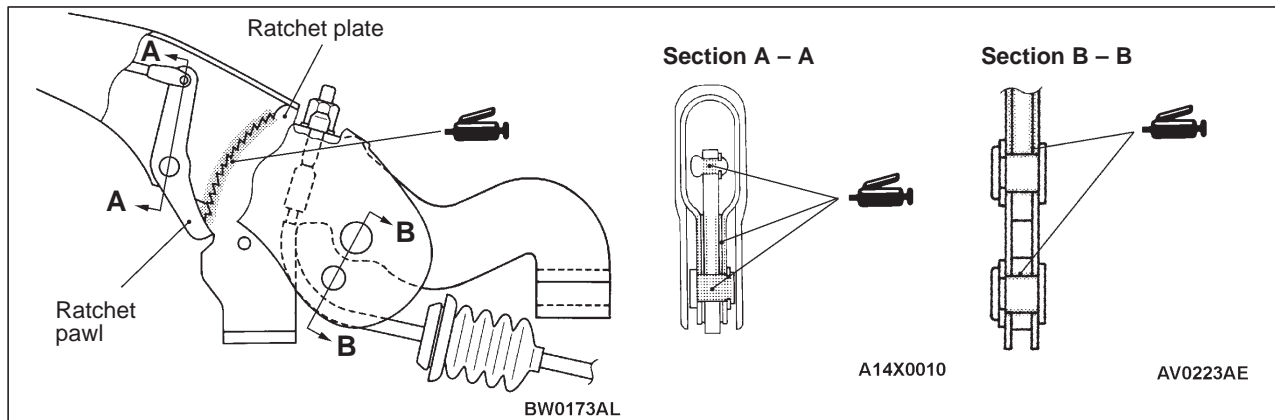
Rear Floor Console Removal
(Refer to GROUP 52A.)

Post-installation Operation

- Parking Brake Lever Stroke Adjustment
(Refer to P.36-3.)
- Rear Floor Console Installation
(Refer to GROUP 52A.)



AX0077AL



Removal steps

1. Adjusting nut
2. Nut holder
3. Parking brake front cable assembly connection

4. Parking brake lever assembly
5. Parking brake switch

PARKING BRAKE CABLE

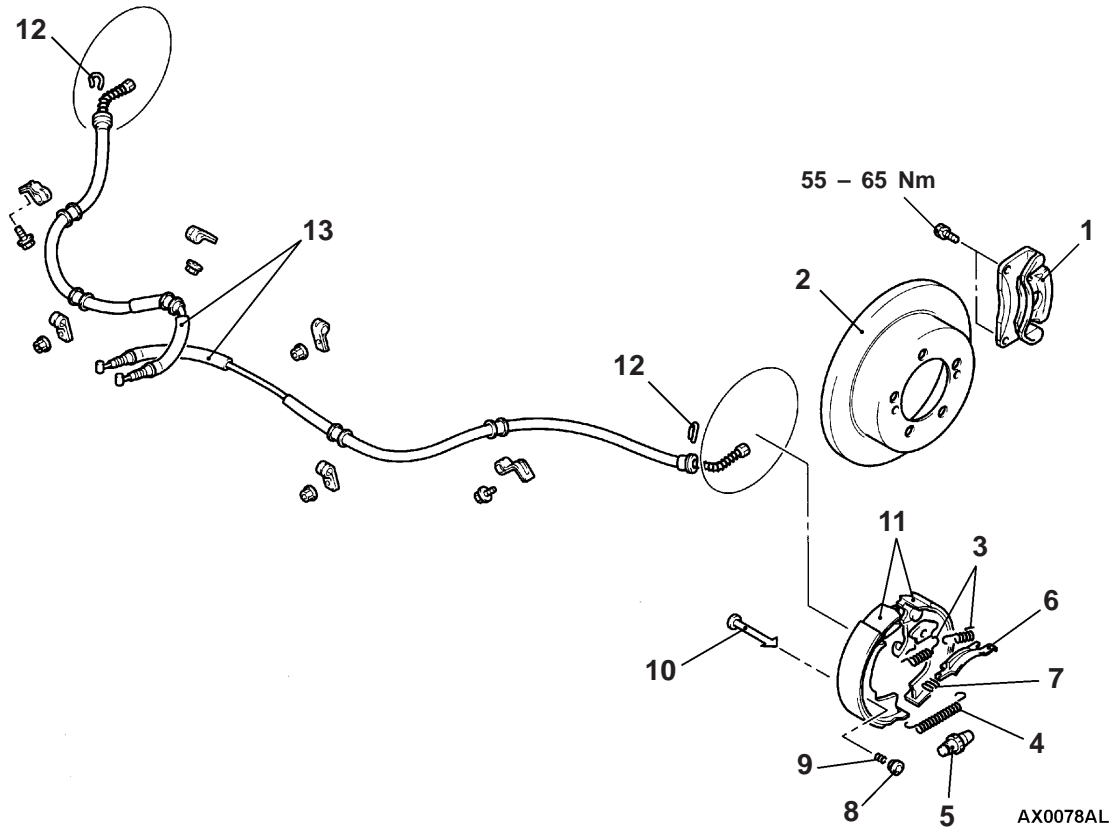
REMOVAL AND INSTALLATION

Pre-removal Operation

Rear Floor Console Removal
(Refer to GROUP 52A.)

Post-installation Operation

- Parking Brake Lever Stroke Check and Adjustment
(Refer to P.36-3.)
- Rear Floor Console Installation
(Refer to GROUP 52A.)

**Removal steps**

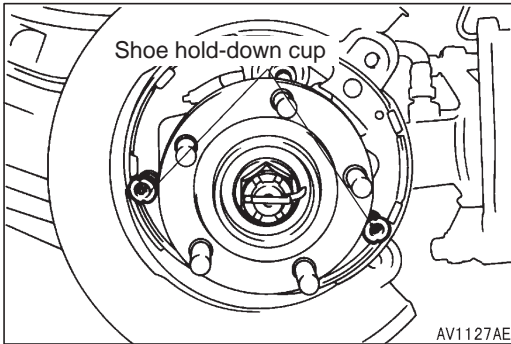
- ◀A▶ 1. Rear brake caliper assembly
2. Rear brake disc
▶B◀ 3. Shoe-to-anchor spring
▶A◀ 4. Adjusting screw spring
5. Adjuster
6. Strut
7. Strut return spring

- ◀B▶ 8. Shoe hold-down cup
9. Shoe hold-down spring
10. Shoe hold-down pin
11. Shoe and lining assembly
12. Clip
13. Parking brake cable

REMOVAL SERVICE POINTS

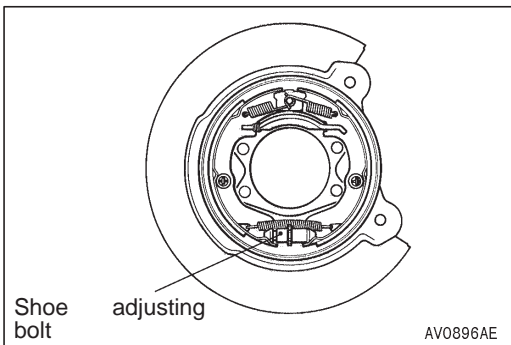
◀A▶ REAR BRAKE CALIPER ASSEMBLY REMOVAL

Remove the rear brake caliper assembly and support it with wire or similar.



◀B▶ SHOE HOLD-DOWN CUP REMOVAL

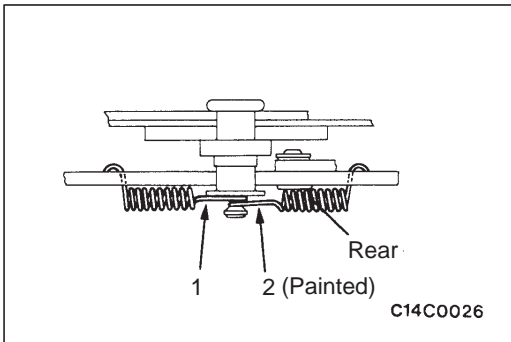
Extend the shoe and lining assembly, and remove the shoe hold-down cup.



INSTALLATION SERVICE POINTS

▶A◀ ADJUSTER INSTALLATION

Install the adjuster so that the shoe adjusting bolt of left hand wheel is attached towards the front of the vehicle, and the shoe adjusting bolt of right hand wheel is towards the rear of the vehicle.



▶B◀ SHOE-TO-ANCHOR SPRING INSTALLATION

Install the shoe-to-anchor springs in the order shown in the illustration.

Caution

The load on the respective shoe-to-anchor springs is different, so the spring in the figure has been painted.

NOTE

The figure shows the left wheel; for the right wheel, the position is symmetrical.

PARKING BRAKE DRUM

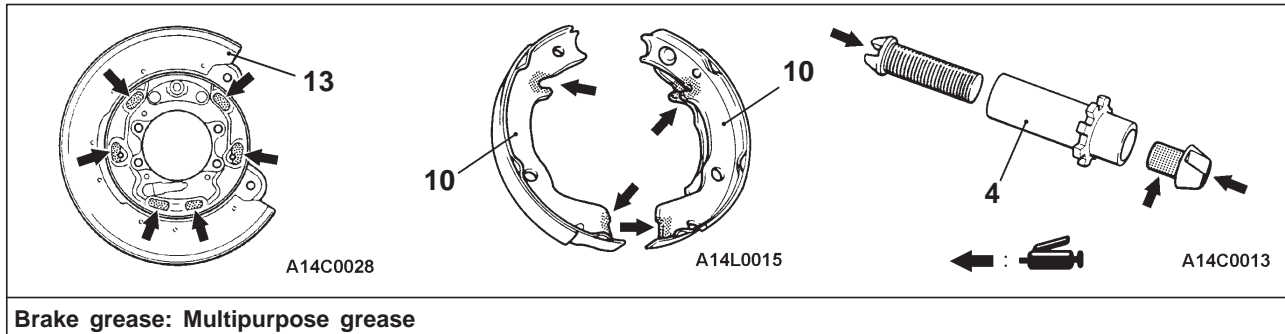
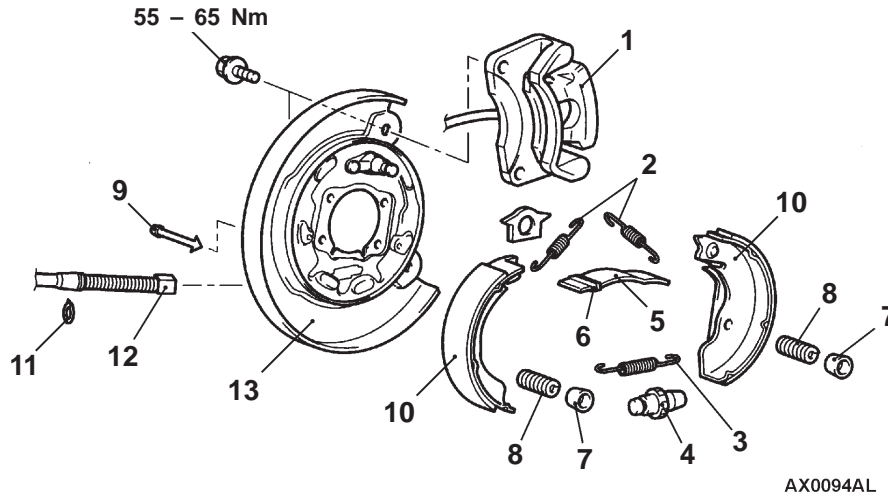
REMOVAL AND INSTALLATION

Pre-removal Operation

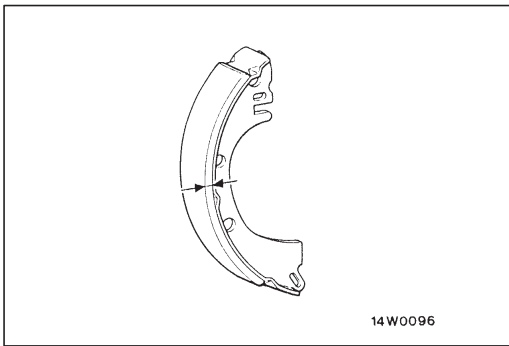
Drive Shaft Removal (Refer to GROUP 27B.)

Post-installation Operation

- Drive Shaft Installation (Refer to GROUP 27B.)
- Parking Brake Lever Stroke Check and Adjustment (Refer to P.36-3.)

**Brake grease: Multipurpose grease****Removal steps**

1. Rear brake caliper assembly (Refer to P.36-7)
2. Shoe-to-anchor spring (Refer to P.36-7)
3. Adjusting screw spring
4. Adjuster (Refer to P.36-7)
5. Strut
6. Strut return spring
7. Shoe hold-down cup (Refer to P.36-7)
8. Shoe hold-down spring
9. Shoe hold-down pin
10. Shoe and lining assembly
11. Clip
12. Parking brake cable
13. Backing plate



INSPECTION

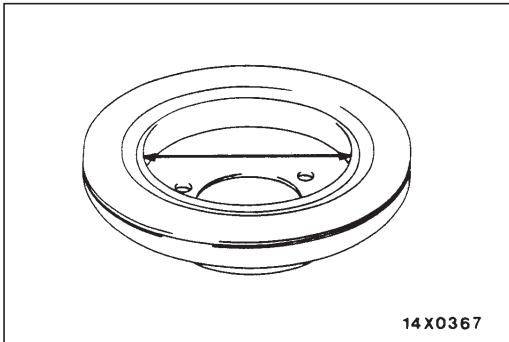
BRAKE LINING AND BRAKE DRUM CHECK

1. Measure the thickness of the brake lining at several places.

Standard value: 2.8 mm

Limit: 1.0 mm

2. If the thickness of the brake lining has worn down to the limit value or more, replace the shoe and lining assemblies on both sides of the vehicle.



3. Measure the inside diameter of the brake disc in two places or more.

Standard value: 168.0 mm

Limit: 169.0 mm

4. If the inside of the brake disc has worn down to the limit value or more, or if it is excessively worn on one side, replace the brake disc.

NOTES

GROUP 36

PARKING BRAKES

GENERAL

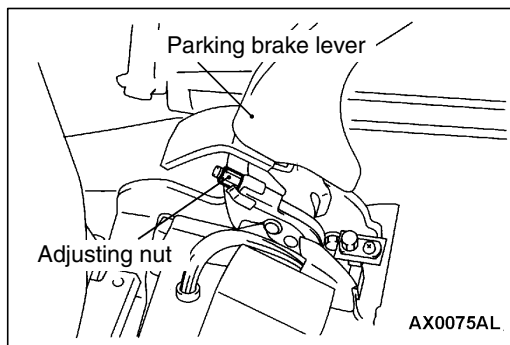
OUTLINE OF CHANGE

The following service procedures have been established due to the adoption of rear drum brake. <1800-MPI>

- Parking brake lever stroke check and adjustment
- Parking brake cable removal and installation

SERVICE SPECIFICATIONS

Items	1800-MPI	
	Standard value	Limit
Parking brake lever stroke	5 – 7 notches	–
Rear brake lining thickness mm	4.9	1.0
Rear drum inside diameter mm	228.6	230.6



ON-VEHICLE SERVICE

PARKING BRAKE LEVER STROKE CHECK AND ADJUSTMENT <1800-MPI>

LEVER STROKE CHECK (WITH FORCE OF 196 N APPLIED)

Standard value: 5 – 7 notches

LEVER STROKE ADJUSTMENT

1. Loosen the adjusting nut up to the cable end to free the cable.
2. Depress the brake pedal hard two or three times.

NOTE

Depressing the brake pedal allows the shoe clearance to be adjusted correctly.

3. Adjust the parking brake lever stroke. Then, jack up the vehicle in its rear. Release the parking brake and rotate the rear tyres to check that no drag exists.

PARKING BRAKE CABLE <1800-MPI>

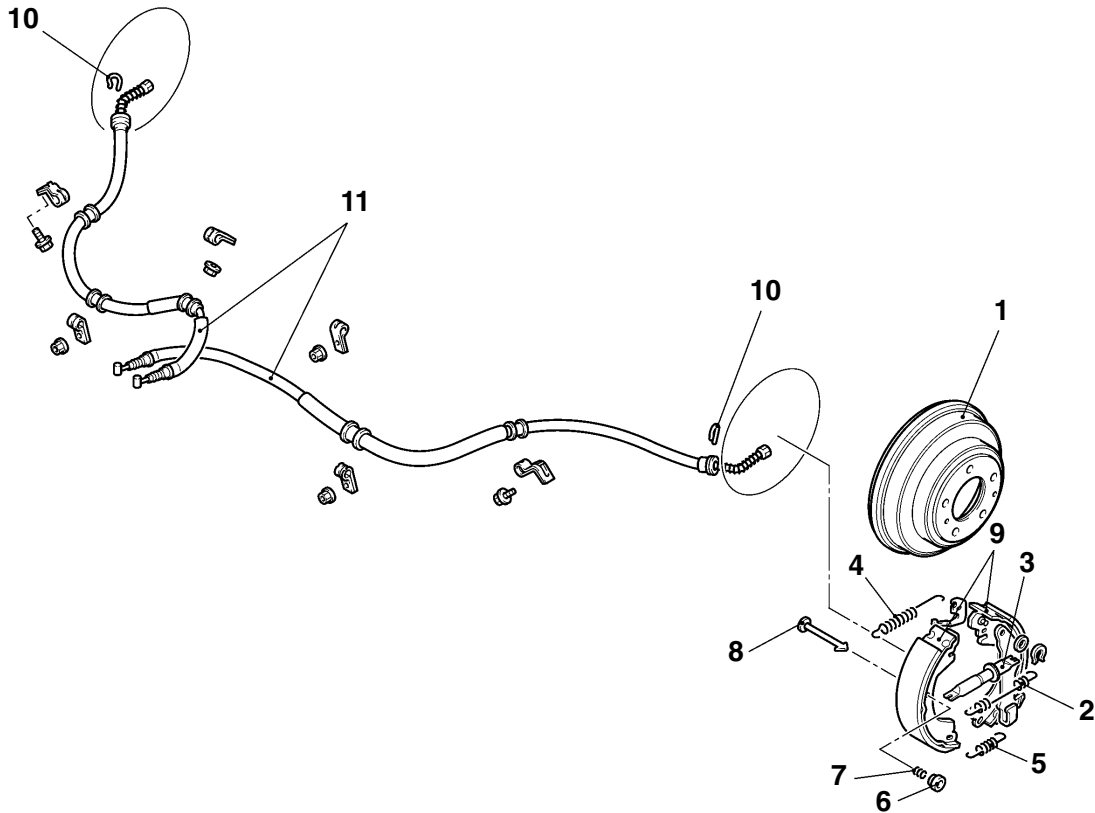
REMOVAL AND INSTALLATION

Pre-removal Operation

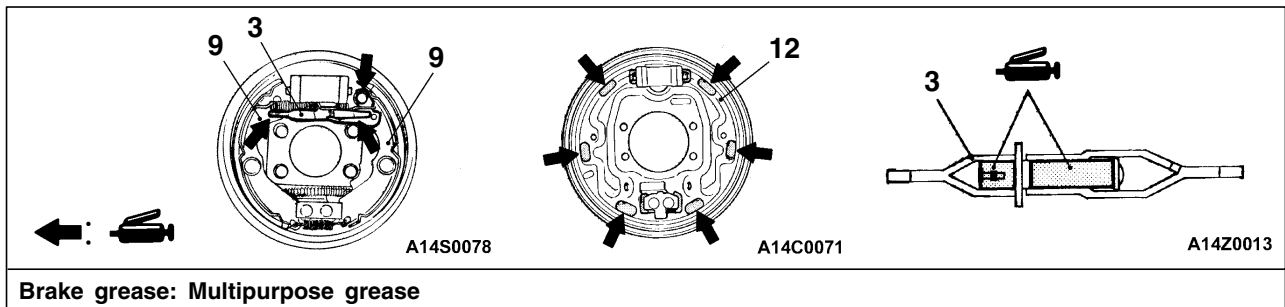
Rear Floor Console Removal

Post-installation Operation

- Parking Brake Lever Stroke Check (Refer to P.36-1.)
- Rear Floor Console Installation



A10016AL

**Removal steps**

1. Brake drum
2. Shoe-to-lever spring
3. Auto-adjuster assembly
4. Shoe-to-shoe spring
5. Retainer spring
6. Shoe hold-down cup
7. Shoe hold-down spring
8. Shoe hold-down pin
9. Shoe and lining assembly
10. Clip
11. Parking brake cable
12. Backing plate