
FUEL SUPPLY

FUEL SUPPLY



CONTENTS

FUEL TANK	2	Fuel Pump Module	4
-----------------	---	------------------------	---

FUEL TANK

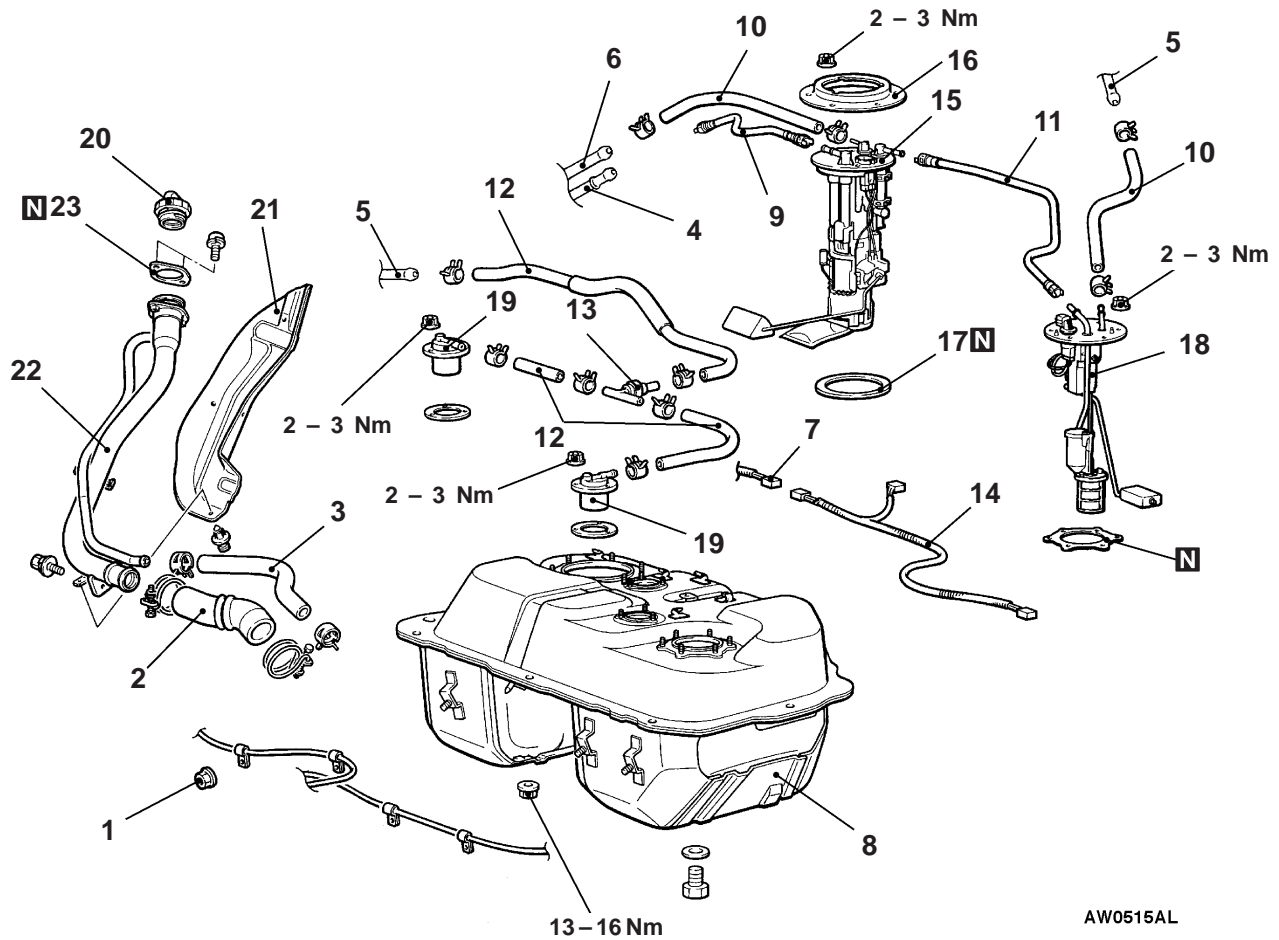
REMOVAL AND INSTALLATION

Pre-removal Operation

- Fuel Draining
- Reduce the Inner Pressure of Fuel Line and Hose (Refer to GROUP 13 – On-vehicle Service.)
- Center Exhaust Pipe Removal (Refer to GROUP 15.)
- Rear Propeller Shaft Removal (Refer to GROUP 25.)

Post-installation Operation

- Fuel Supplying.
- Checking for Fuel Leaks
- Rear Propeller Shaft Installation (Refer to GROUP 25.)
- Center Exhaust Pipe Installation (Refer to GROUP 15.)



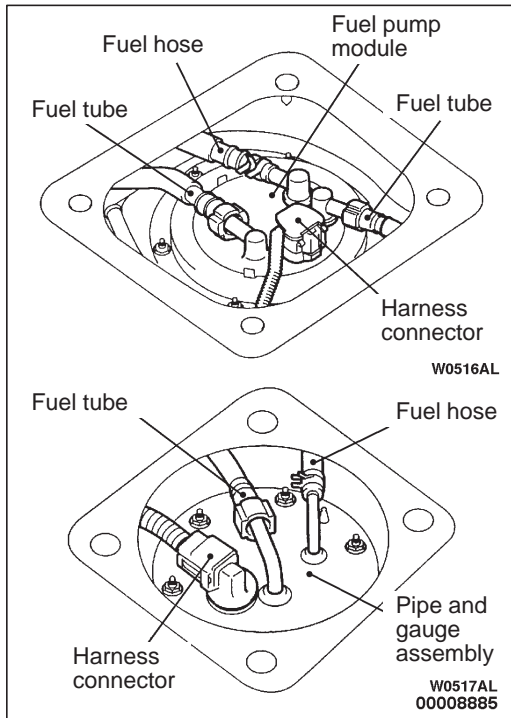
AW0515AL

Removal steps

1. Parking brake cable clamp mounting nut
2. Filler hose
3. Leveling hose
- ▶A◀ 4. High pressure tube connection
5. Vapour hose connection
6. Return hose connection
7. Harness connector connection
8. Fuel tank assembly
- ▶A◀ 9. High pressure tube
- ▶A◀ 10. Return hose
- ▶A◀ 11. Suction tube
12. Vapour hose
13. Fuel check valve
14. Fuel tank harness
15. Fuel pump module
16. Retainer plate
17. Packing
18. Pipe and gauge assembly
19. Valve assembly
20. Fuel filler cap
21. Filler neck protector
22. Filler neck assembly
23. Packing

INSTALLATION SERVICE POINT**▶A◀ SUCTION TUBE/HIGH PRESSURE TUBE CONNECTION****Caution**

After the connection, pull the high pressure tube and suction tube gently in the direction of removal to check that they are firmly connected.

**INSPECTION****FUEL PUMP MODULE/PIPE AND GAUGE ASSEMBLY REPLACEMENT**

1. Remove the rear seat cushion.
2. Remove the service hole cover.
3. Disconnect the harness connector, fuel hose and tube.
4. Unscrew the mounting nuts, and then remove the pipe and gauge assembly and fuel pump module.
5. Install the pipe and gauge assembly and fuel pump module. Tighten the mounting nuts to the specified torque.

Specified torque: 2 – 3 Nm

6. Connect the fuel hose, fuel tube and harness connector.

Caution

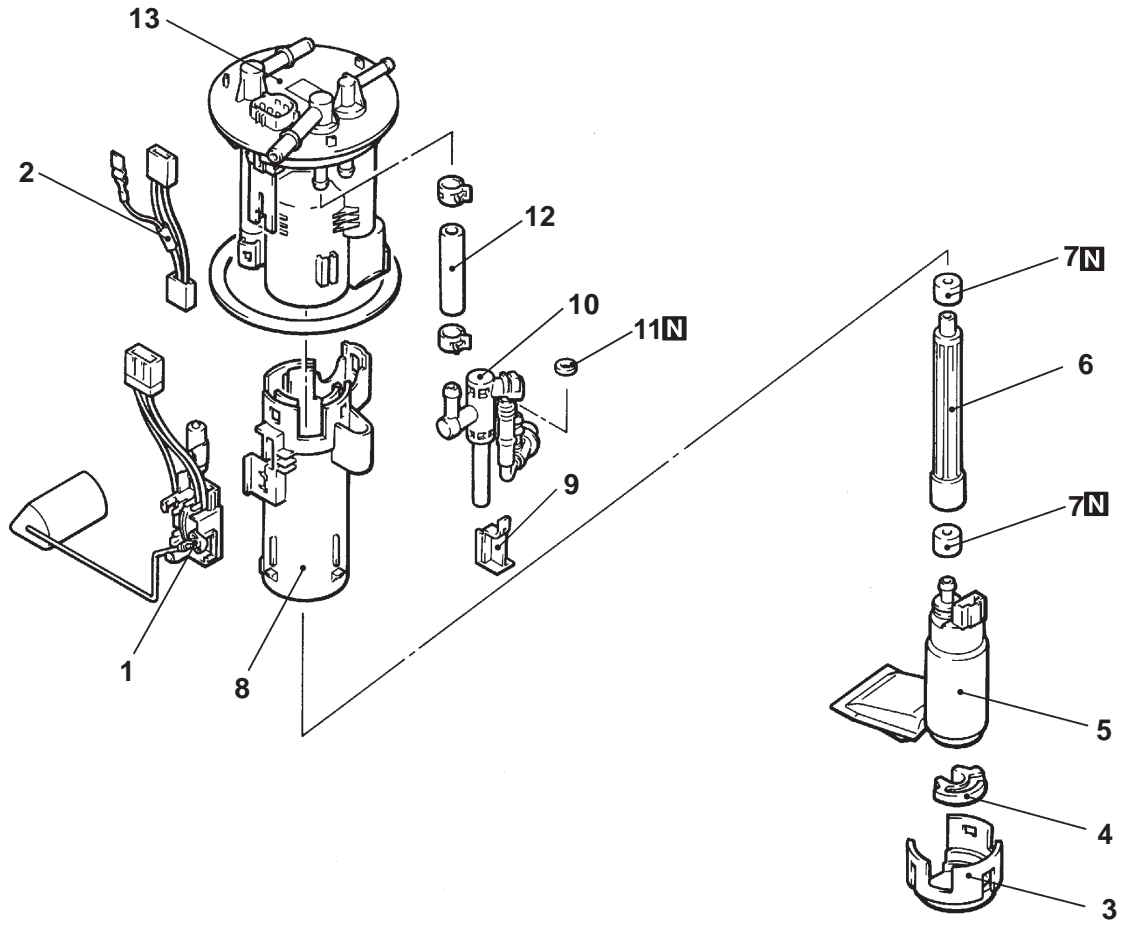
After the connection, pull the high pressure tube and suction tube gently in the direction of removal to check that they are firmly connected.

7. Install the service hole cover.
8. Install the rear seat cushion.

FUEL GAUGE UNIT CHECK

Refer to GROUP 54 – Combination Meter.

DISASSEMBLY AND REASSEMBLY
FUEL PUMP MODULE



AW0518AL

Disassembly steps

- 1. Fuel gauge unit
- 2. Gauge harness
- 3. Bracket
- 4. Cushion
- 5. Fuel pump (low-pressure)
- ▶A◀ 6. Fuel tube
- 7. Grommet
- 8. Housing

- 9. Stopper
- 10. Fuel pressure regulator (low-pressure) and assist pump assembly
- ▶A◀ 11. O-ring
- 12. Fuel hose
- 13. Fuel filter assembly

REASSEMBLY SERVICE POINT

▶A◀ O-RING/GROMMET INSTALLATION

Apply a fuel to O-ring and grommet before installing them, to prevent them from being damaged or twisted.

GROUP 13B

FUEL SUPPLY

GENERAL

OUTLINE OF CHANGES

The following service procedures have been established due to the addition of the vehicles with 4G93-MPI engine.

FUEL TANK

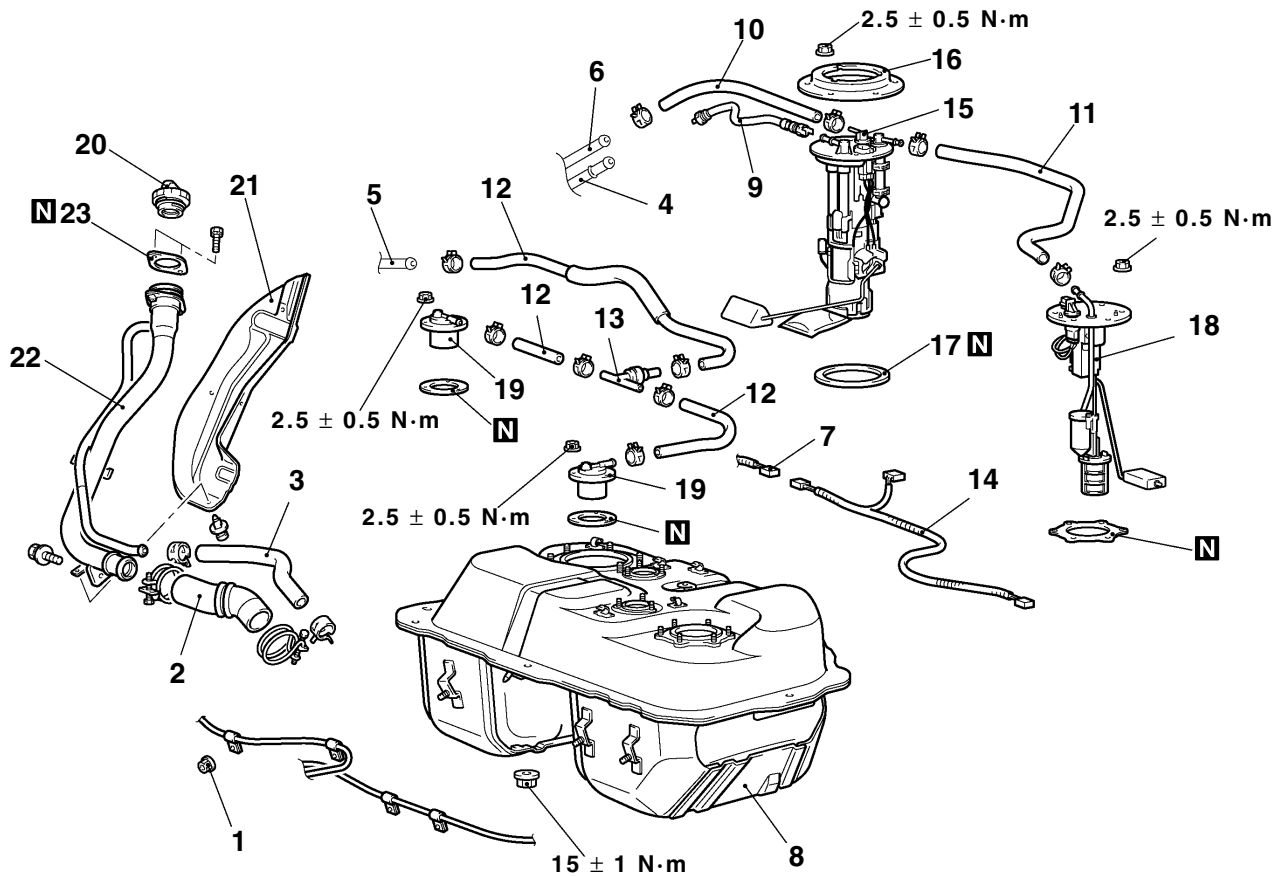
REMOVAL AND INSTALLATION

Pre-removal Operation

- Fuel Draining
- Reduce the Inner Pressure of Fuel Line and Hose (Refer to GROUP 13C – On-vehicle Service.)
- Center Exhaust Pipe Removal (Refer to GROUP 15.)
- Rear Propeller Shaft Removal

Post-installation Operation

- Fuel Supplying.
- Checking for Fuel Leaks
- Rear Propeller Shaft Installation
- Center Exhaust Pipe Installation (Refer to GROUP 15.)



A10018AL

Removal steps

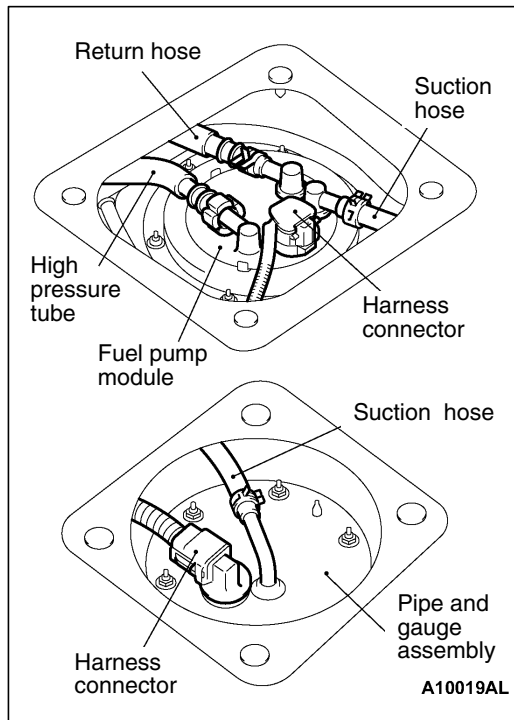
- | | |
|---|---|
| <ul style="list-style-type: none"> 1. Parking brake cable clamp mounting nut 2. Filler hose 3. Leveling hose ▶A◀ 4. High pressure tube connection 5. Vapour hose connection 6. Return hose connection 7. Harness connector connection ▶A◀ 8. Fuel tank assembly 9. High pressure tube 10. Return hose 11. Suction hose | <ul style="list-style-type: none"> 12. Vapour hose 13. Fuel check valve 14. Fuel tank harness 15. Fuel pump module 16. Retainer plate 17. Packing 18. Pipe and gauge assembly 19. Valve assembly 20. Fuel filler cap 21. Filler neck protector 22. Filler neck assembly 23. Packing |
|---|---|

INSTALLATION SERVICE POINT

▶A◀ **HIGH PRESSURE TUBE CONNECTION**

Caution

After the connection, pull the high pressure tube gently in the direction of removal to check that is firmly connected.



INSPECTION

FUEL PUMP MODULE/PIPE AND GAUGE ASSEMBLY REPLACEMENT

1. Remove the rear seat cushion.
2. Remove the service hole cover.
3. Disconnect the harness connector, fuel hose and tube.
4. Unscrew the mounting nuts, and then remove the pipe and gauge assembly and fuel pump module.
5. Install the pipe and gauge assembly and fuel pump module. Tighten the mounting nuts to the specified torque.

Tightening torque: 2.5 ± 0.5 N·m

6. Connect the fuel hose, fuel tube and harness connector.

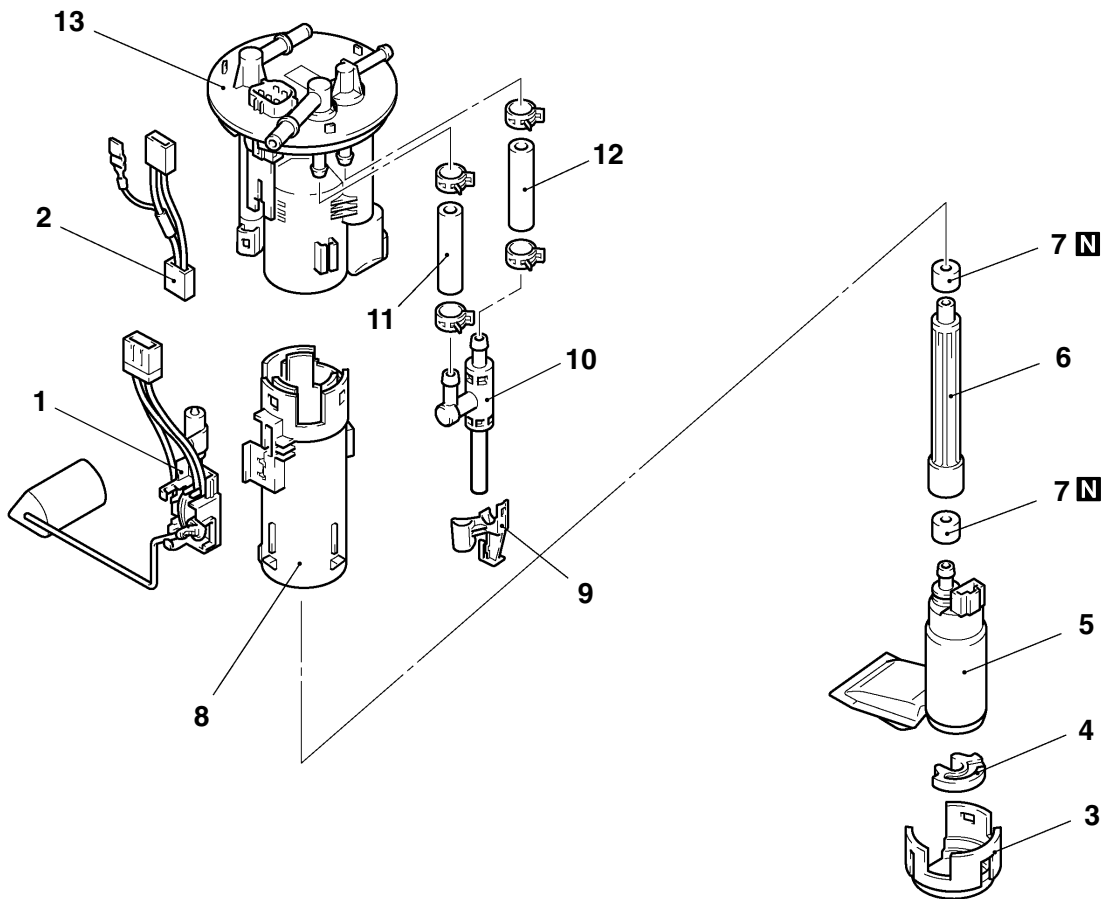
Caution

After the connection, pull the high pressure tube and suction tube gently in the direction of removal to check that they are firmly connected.

7. Install the service hole cover.
8. Install the rear seat cushion.

DISASSEMBLY AND REASSEMBLY

FUEL PUMP MODULE



A10020AL

Disassembly steps

1. Fuel gauge unit
2. Gauge harness
3. Bracket
4. Cushion
5. Fuel pump
6. Fuel tube
7. Grommet



8. Housing
9. Stopper
10. Assist pump assembly
11. Fuel hose (suction)
12. Fuel hose (return)
13. Fuel filter assembly

REASSEMBLY SERVICE POINT

▶◀ GROMMET INSTALLATION

Apply a fuel to grommet before installing them, to prevent them from being damaged or twisted.

NOTES