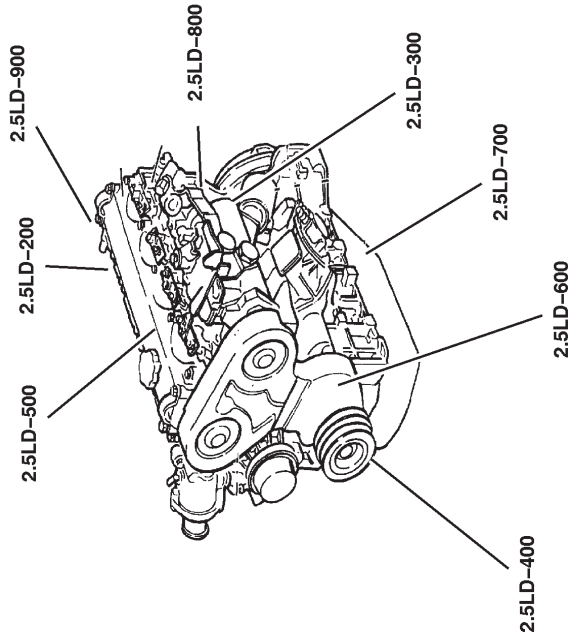


Group – 2.5LD

Engine 2.5L Four Cylinder (Turbo Diesel)



GROUP 2.5LD - Engine 2.5L Four Cylinder (Turbo Diesel)

Illustration Title	Group-Fig. No.
Cylinder Head	
Cylinder Head 2.5L (ENC) Diesel Engine	Fig. 2.5LD-210
Cylinder Block	
Cylinder Block 2.5L (ENC) Diesel Engine	Fig. 2.5LD-310
Crankshaft, Piston and Drive Plate	
Crankshaft, Piston and Torque Converter 2.5L (ENC) Diesel Engine	Fig. 2.5LD-410
Camshafts & Valves	
Camshaft and Valves 2.5L (ENC) Diesel Engine	Fig. 2.5LD-510
Timing Belt and Cover	
Timing Cover 2.5L (ENC) Diesel Engine	Fig. 2.5LD-610
Engine Oiling	
Engine Oiling 2.5L (ENC) Diesel Engine	Fig. 2.5LD-710
Oil Lines 2.5L (ENC) Diesel Engine	Fig. 2.5LD-720
Manifolds	
Manifold, Intake and Exhaust 2.5L (ENC) Diesel Engine	Fig. 2.5LD-810
Crankcase Ventilation	
Crankcase Ventilation 2.5L (ENC) Diesel Engine	Fig. 2.5LD-910

2.5LD-200 Cylinder Head 	2.5LD-300 Cylinder Block 	2.5LD-400 Crankshaft, Piston and Drive Plate 	2.5LD-500 Camshafts & Valves
2.5LD-600 Timing Belt and Cover 	2.5LD-700 Engine Oiling 	2.5LD-800 Manifolds 	2.5LD-900 Crankcase Ventilation